



FUEL LEVEL GAUGE INSTRUCTIONS P/N 553-133

The Holley EFI Fuel Level Gauge is designed to wire directly to the sending unit, allowing it to be used on applications with or without Holley EFI. It is compatible with any sending units that have a range within 0-300 ohms.

IMPORTANT! Disconnect the battery prior to installation!

WIRING DIAGRAMS:

Figure 1 shows the gauge power, ground, and lighting wiring diagram as well as the sending unit wiring. If there is no fuel sender ground, connect that wire to a chassis ground.

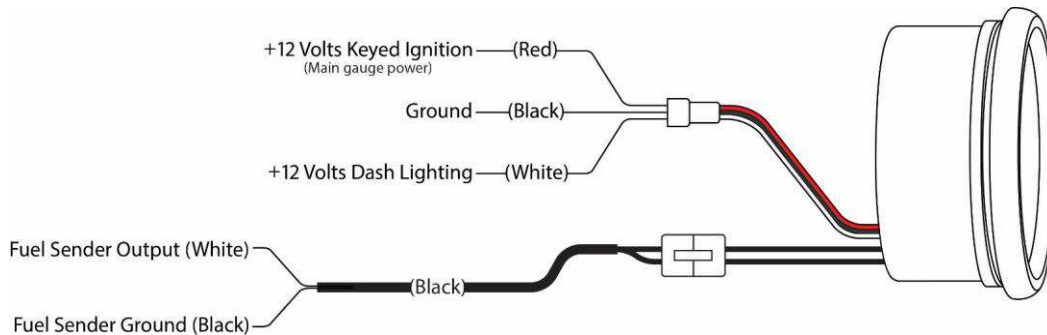


Figure 1

INSTALLATION:

1. Mount gauge(s) for easy viewing and secure with the included spin lock ring.
2. Install the power, ground, and lighting wires as shown in **Figure 1**. Harness P/N 553-140 (available separately) allows you to unplug and discard the pigtails included with each gauge and connect up to 8 gauges together. This configuration makes it easy when multiple gauges are installed together, allowing the loose power, ground, and lighting wires to only be connected once.
3. Reconnect the battery and follow the calibration instructions below.

Programming:

The fuel level gauge can be manually programmed to any existing fuel tank sender or you can select one of the programmed presets (**Figure 2**) – Factory default setting is 240 Ohms Empty and 33 Ohms Full.

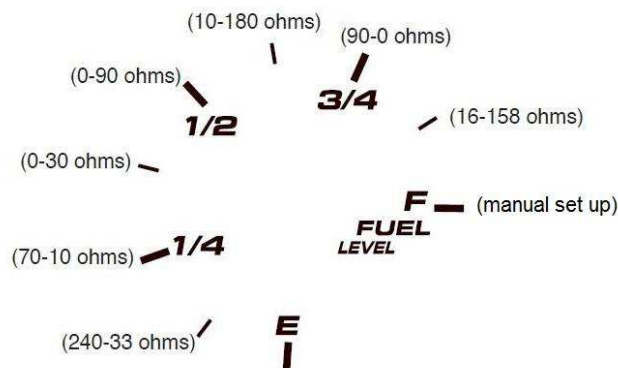


Figure 2

1. While the gauge is powered up, press and hold the button down for 10-12 seconds until the pointer (needle) points at '1/8' tank then release the button. You are now in programming mode.

- Press and release button to toggle between available preset resistive ohm range options (**Figure 2**). The pointer will stop to each available setting with quick button presses. At the desired ohm range, press and hold the button down for 2 seconds to save the ohm range preset. The LED will blink 2 times to indicate the preset range is saved and will begin displaying the current fuel level.

Manual Set Up

How to set the FUEL LEVEL gauge to a custom Ohm Range:

If the preset ranges will not work for your fuel level sender then you have the option to manually program the gauge.

REQUIRED: Fuel level sensor **MUST** be connected to gauge during manual set up. The Fuel Level sender must be in the corresponding Full or Empty state that you desire to program. (If the fuel level sender is installed in a fuel tank, the tank will have to be full to set the full condition and the tank will have to be empty to set the empty condition.)

- While the gauge is powered up, press and hold the button down for 10-12 seconds until pointer (needle) points at '1/8' tank then release the button.
- Press and release button until the pointer is pointing at the 'F' (**Figure 1**). Hold the button down for 2 seconds. Release the button. The pointer will now oscillate between 'E' and 'F'. You are now in Manual Programming mode.
- To set Empty condition, follow manual programming steps 1 & 2: While your fuel tank is empty; when the pointer points at 'E' press the button. The gauge will exit the programming menu and will attempt to display the current fuel level. To set Full condition, follow manual programming steps 1 & 2: While your fuel tank is full; when the pointer points at 'F' press the button. The gauge will exit the programming menu and will attempt to display the current fuel level. **IMPORTANT:** Both Empty and Full conditions have to be programmed before the gauge will display the fuel level accurately.

Setting low fuel warning LED

- To set low fuel warning LED, press and hold button with gauge power off. Turn on gauge power. LED will turn on. Release button.
- Pointer will slowly scan clockwise from Empty condition on dial. Press button at desired low fuel warning set point. LED will blink to indicate low warning has been set. **NOTE:** Pressing button at 'E' empty position on dial will disable LED fuel warning.

Setting LED brightness both day and night

- With gauge power on, press and release LED button (LED will light up at current brightness setting).
- Press and release LED button to change LED to desired brightness setting. **NOTE:** 5 Settings options - off, 1, 2, 3, 4 (4 is the brightest.)
- Do not press the button for three seconds to save the brightness setting. The LED will blink to indicate that setting has been saved.

NOTE: Setting the brightness setting when the gauge lighting is on, will set the night-time brightness setting. Setting the level when the gauge lighting is off will set the daytime brightness setting.

Common Factory Ohm Ranges		
Empty	Full	Vehicle
0 ohms	30 ohms	Most pre-'65 GM
0 ohms	90 ohms	Most GM 65-present
16 ohms	158 ohms	Most '87-present Fords
73 ohms	8-12 ohms	Most Fords before '87 and most Chrysler
240 ohms	33 ohms	Use with 3262 sender
10 ohms	70 ohms	Ford Bi-Metallic Gauges (pre '87 F-Series Trucks)
15 ohms	160 ohms	Ford Magnetic Gauges ('87 and later F-Series Trucks)

Holley Technical Support: 1-866-464-6553

© 2016 Holley Performance Products, Inc. All rights reserved.

199R10949

Date: 1-27-16