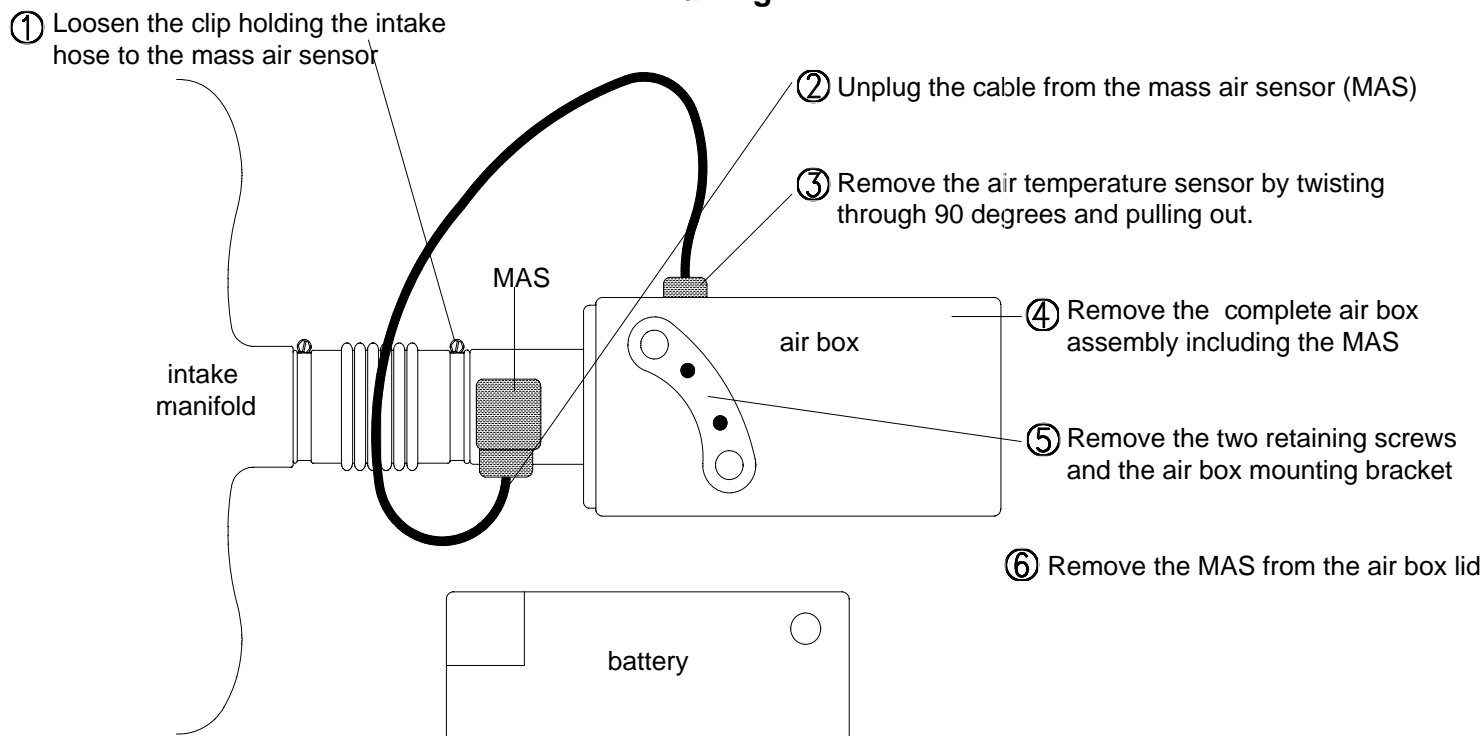


PLEASE READ THESE INSTRUCTIONS CAREFULLY BEFORE FITTING THIS KIT

If you have a problem, however small, call our Technical Department

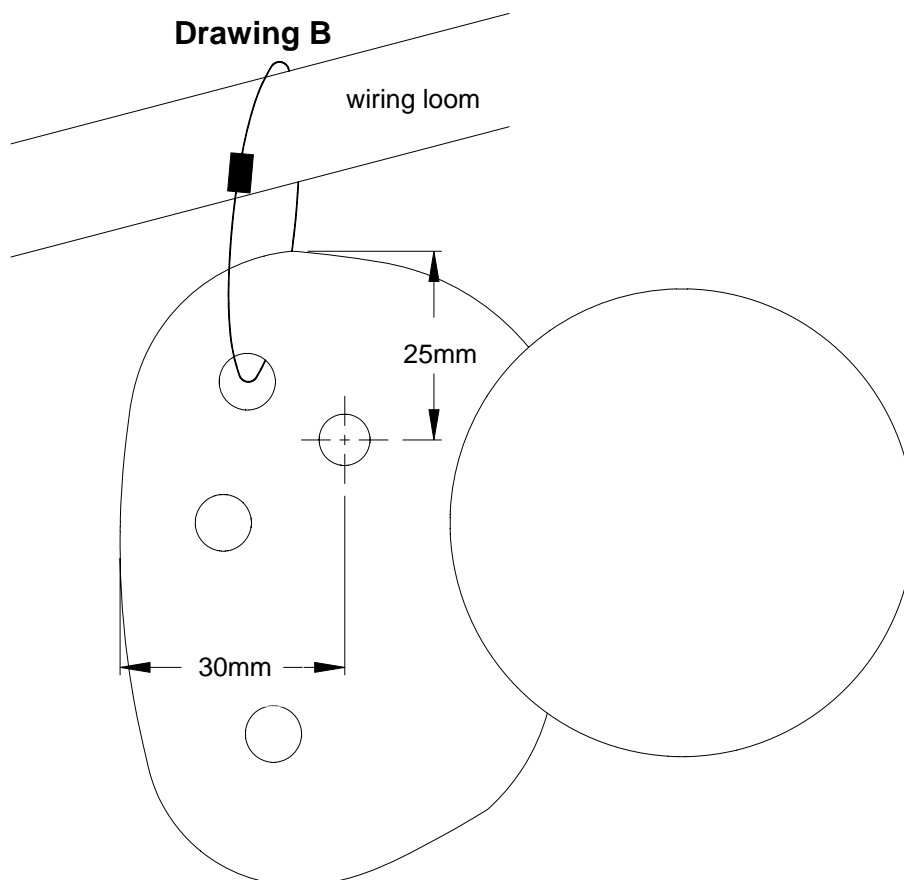
Tel:- 01925 636950 Fax:- 01925 243111. Mon - Thurs 8.30 - 5pm.

Drawing A



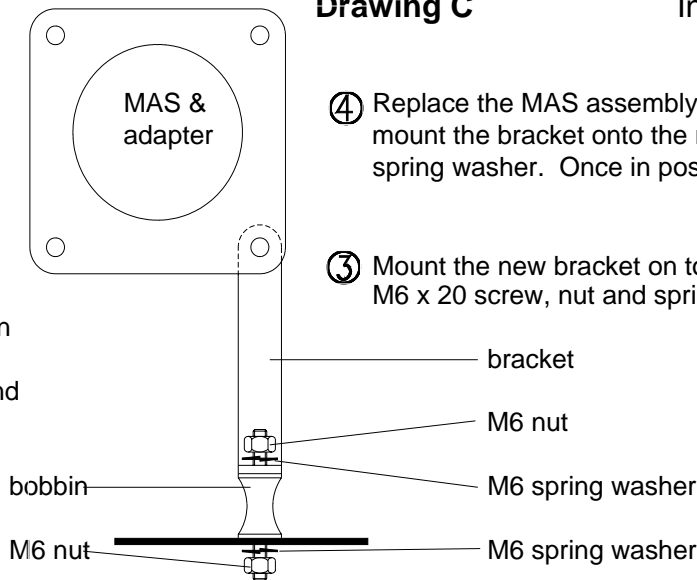
Drawing B

- ① Remove the two rubber bobbins from the chassis mounted bracket.
 - ② Drill an M6 clearance hole (6.5 - 6.8mm diameter) in the chassis mounted bracket where shown.
- (This drawing is actual size and may be used as a template)



Drawing C

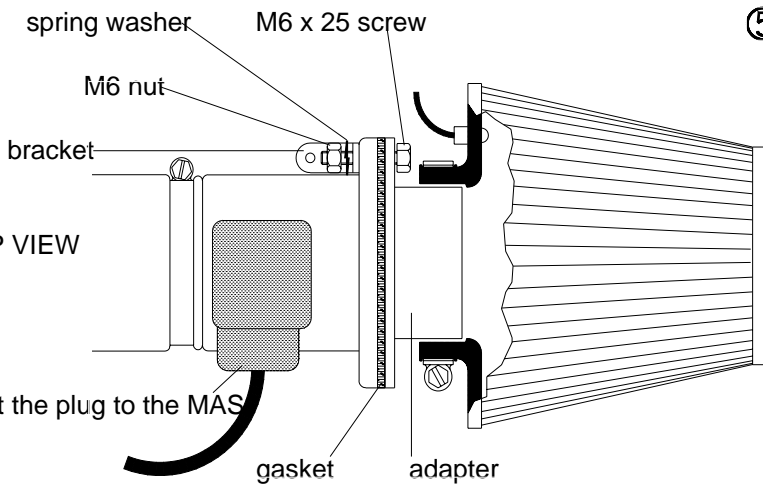
END VIEW



- 1 Mount the rubber bobbin supplied to the chassis bracket using the nut and spring washer supplied.

- 2 Mount the new adapter and gasket on the front of the MAS, use the three sets of M6 screws, nuts and spring washers supplied.
- 3 Mount the new bracket on to the rear face of the MAS using the M6 x 20 screw, nut and spring washer supplied
- 4 Replace the MAS assembly into the standard intake hose and mount the bracket onto the rubber bobbin using an M6 nut and spring washer. Once in position Firmly tighten the clip

TOP VIEW



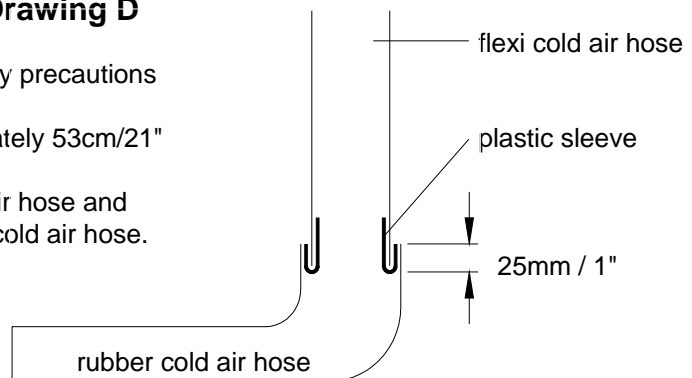
- 6 Refit the plug to the MAS

- 5 Fit the air temperature sensor to the base of the air filter. Fit the air filter to the adapter, gently tighten the hose clip so the filter will just rotate on the adapter, reposition the K&N logo straight then **give the clip one full turn 360 degrees no more.**

- 2 Mount the new adapter and gasket on the front of the MAS, use the three sets of M6 screws, nuts and spring washers supplied.

Drawing D

- 1 Raise the front of the car taking all of the usual safety precautions
- 2 Carefully expand the flexi cold air hose to approximately 53cm/21"
- 3 Remove one of the plastic ends from the flexi cold air hose and insert this end 25mm / 1" into the end of the rubber cold air hose.
- 4 Push the flexi cold air hose into the plastic sleeve which is now held in the rubber cold air hose

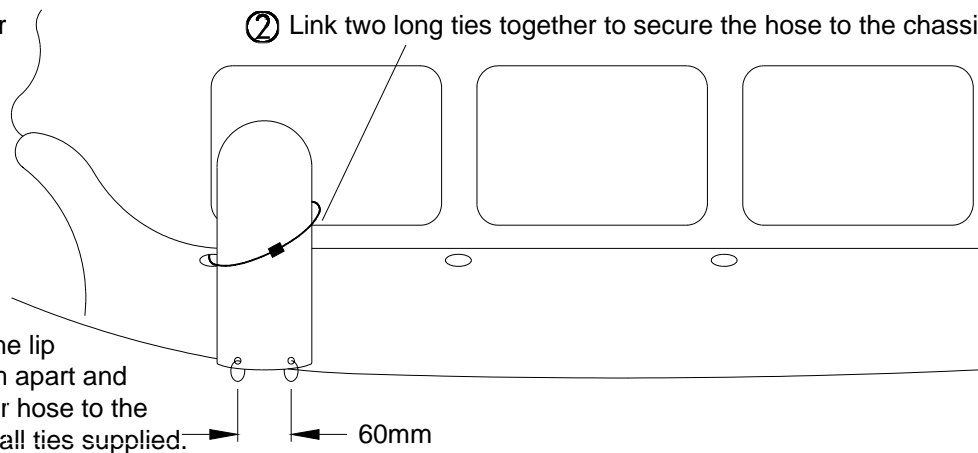


Drawing E-1

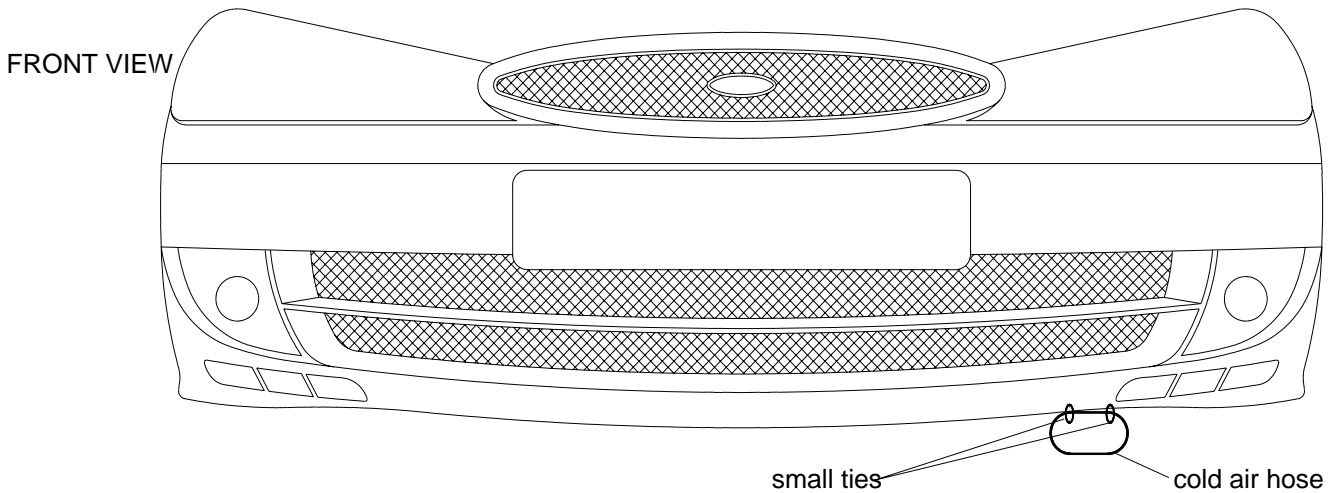
- 1 From underneath the car feed the cold air hose up towards the filter.

- 2 Link two long ties together to secure the hose to the chassis rail

UNDERSIDE VIEW



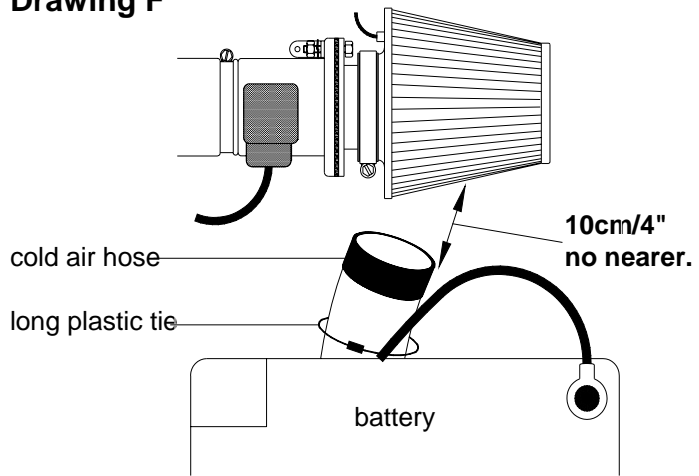
- 3 Drill two small holes in the lip of the front spoiler 60mm apart and mount the rubber cold air hose to the spoiler using the two small ties supplied.



Drawing F

① Position the top end of the cold air hose to finish approx. **10cm/4"** from the filter **no nearer.**

Tie the cold air hose to the lowest point on the battery earth cable.



Tuning.

CAT. Cars No adjustments required

An increase in fuel mixture may be required if further modifications are carried out.

Filter Maintenance.

Under normal conditions clean and reoil the filter at approx. 40,000 miles / 65,000km.

Use only K&N cleaner and oil and follow the instructions carefully.

K&N filters are pre-oiled ready to fit

The advantage of K&N's cold air intake system.

Cooler air being denser, will show positive improvements in power over filter systems that draw hot air from the engine bay.

This Kit Should Contain:

- 1 x Air Filter
- 1 x Rubber Cold Air Hose
- 1 x Cold Air Hose Assembly
- 1 x Instruction Sheet
- 1 x Instruction Pack :-
 - 1 x Filter Maintenance Sheet
 - 1 x Million Mile sticker
 - 1 x Million Mile Warranty
 - 1 x Leaflet

- 1 x Fixing Kit containing:-
 - 1 x Small Rubber Bobbin
 - 1 x Gasket
 - 1 x M6 x 25mm Screw
 - 3 x M6 x 20mm Screws
 - 6 x M6 Nuts
 - 6 x 6mm Spring Washers
 - 6 x Flat Washers
 - 3 x Cable Ties (10cm long)
 - 3 x Cable Ties (35cm long)
 - 1 x #60 Hose Clip
 - 1 x Adapter Tube
 - 1 x Bracket

FITTING YOUR OWN 57i KIT

If not **it is essential** that the person fitting the kit (e.g. mechanic) **carefully follows these particular instructions** even if he has fitted K&N kits before. This will save you both time and money. kits incorrectly fitted may show a loss in performance e.g. the positioning of the essential cold air hose, (flexi expandable and rubber hoses are used).

A final check under the bonnet, by yourself with the instructions, would seem sensible