

**advanced FLOW engineering** Magnum FORCE Cold Air Intake System

**Instruction Manual** P/N: 54-83043D / 54-83043R

Make: <b>BMW</b>	Model: <b>X5 (F15)</b>	Year: <b>2014-2018</b>	Engine: <b>L6-3.0L Turbo (N55)</b>
Make: <b>BMW</b>	Model: <b>X6 (F16)</b>	Year: <b>2015-2019</b>	Engine: <b>L6-3.0L Turbo (N55)</b>
Make: <b>BMW</b>	Model: <b>X5 (E70)</b>	Year: <b>2011-2013</b>	Engine: <b>L6-3.0L Turbo (N55)</b>
Make: <b>BMW</b>	Model: <b>X6 (E71)</b>	Year: <b>2011-2014</b>	Engine: <b>L6-3.0L Turbo (N55)</b>



- Please read the entire instruction manual before proceeding.
- Ensure all components listed are present.
- If you are missing any of the components, call customer support at 951-493-7100.
- Ensure you have all necessary tools before proceeding.
- Do not attempt to work on your vehicle when the engine is hot.
- Disconnect the negative battery terminal before proceeding.
- Retain factory parts for future use.

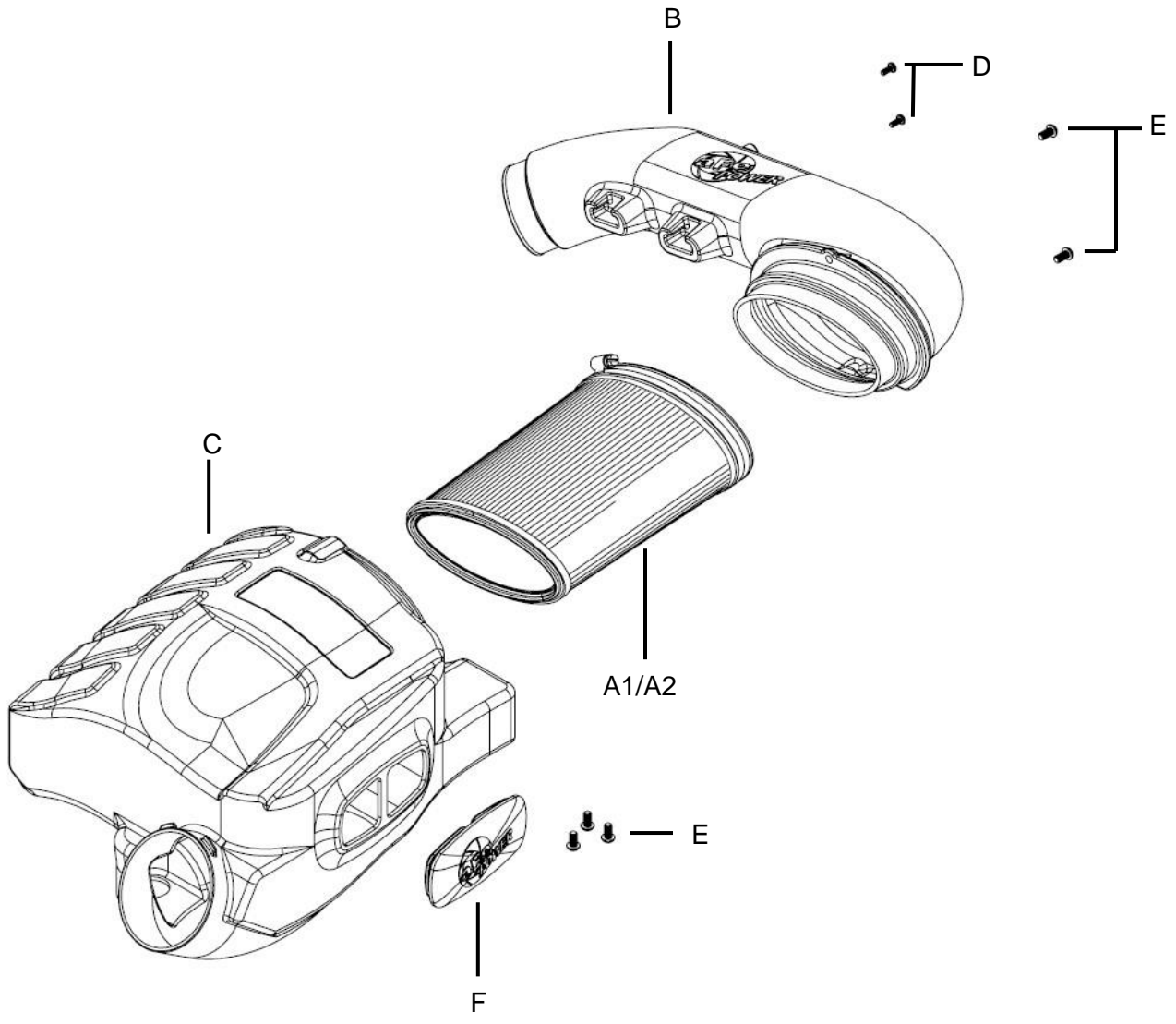
Label	Qty.	Description	Part Number
A1	1	Air Filter (Pro DRY S)	21-90116
A2	1	Air Filter (Pro 5R)	24-90116
B	1	Tube	05-82082B1
C	1	Housing	05-5483043B2
D	2	Screw, M4	03-50490
E	5	Screw, M6	03-50102
F	1	Plug	05-01429

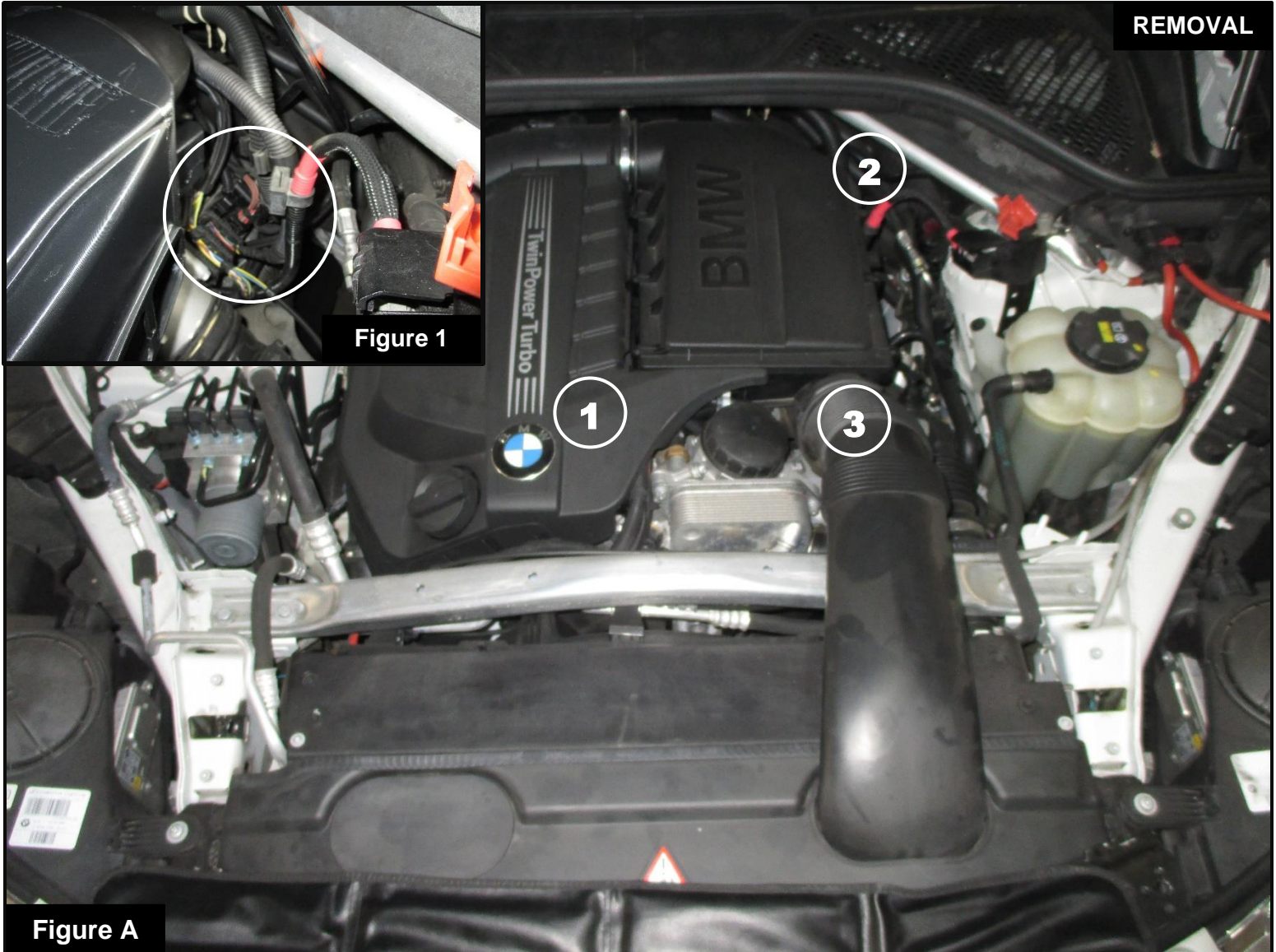
**Installation will require the following tools:**

7mm and 8mm nut driver or socket, socket wrench, flat-head screwdriver, T20 Torx driver, and 4mm or 5/32" hex driver.

Recommended: panel popper.

**Emissions Disclaimer:** This product is not currently CARB exempt and is not available for purchase in California or for use on any vehicle registered with the California Department of Motor Vehicles.





**Refer to Figure A for Steps 1-3**

- Step 1: Remove the engine cover ①.
- Step 2: Detach the three (3) wire harnesses located at the back of the factory airbox ② from the factory airbox, as shown in Figure 1.
- Step 3: Detach the factory air duct from the factory airbox ③.

**Figure B****Refer to Figure B for Steps 4-6**

Step 4: Loosen the clamp at the factory intake tube (4).

Step 5: Disconnect the MAF sensor (5).

Step 6: Carefully pull up on the factory intake to remove from the engine bay as one piece.

**Figure 2****Figure C****Refer to Figure C for Steps 7-9**

Step 7: Using the two (2) supplied M4 screws, transfer and secure the MAF sensor from the factory intake to the aFe Power intake tube (6).

Step 8: Install the supplied air filter onto the aFe Power intake tube. Do not tighten the clamp yet (7).

Step 9: Transfer the two (2) factory grommets from the factory intake to the aFe Power intake tube, as shown in Figure 2.



**Refer to Figure D for Steps 10-12**

- Step 10: Transfer the three (3) grommets from the factory airbox to the aFe Power intake housing (8).
- Step 11: Transfer the bracket from the factory airbox to the aFe Power intake housing (9) and attach using three (3) of the supplied M6 screws.
- Step 12: If desired, install the supplied aFe Power plug (10), as shown in Figure 3.

**NOTE: Without the plug installed, the aFe Power intake will capture the maximum air available. More airflow offers more power. Some of this air picked up from inside the engine compartment could be warmer air. Warmer air will affect the performance of the vehicle.**



### **Refer to Figure E for Steps 13-15**

Step 13: Slide the air filter and tube assembly into the back side of the aFe Power housing. Then, line up the clamp with the cutout on the aFe Power housing (11), as shown in Figure 4.

Step 14: Tighten the clamp in place so the air filter and tube assembly may pass through the back of the aFe Power housing.

Step 15: Using two (2) of the supplied M6 screws, fasten the aFe Power intake tube to the aFe Power intake housing (12).



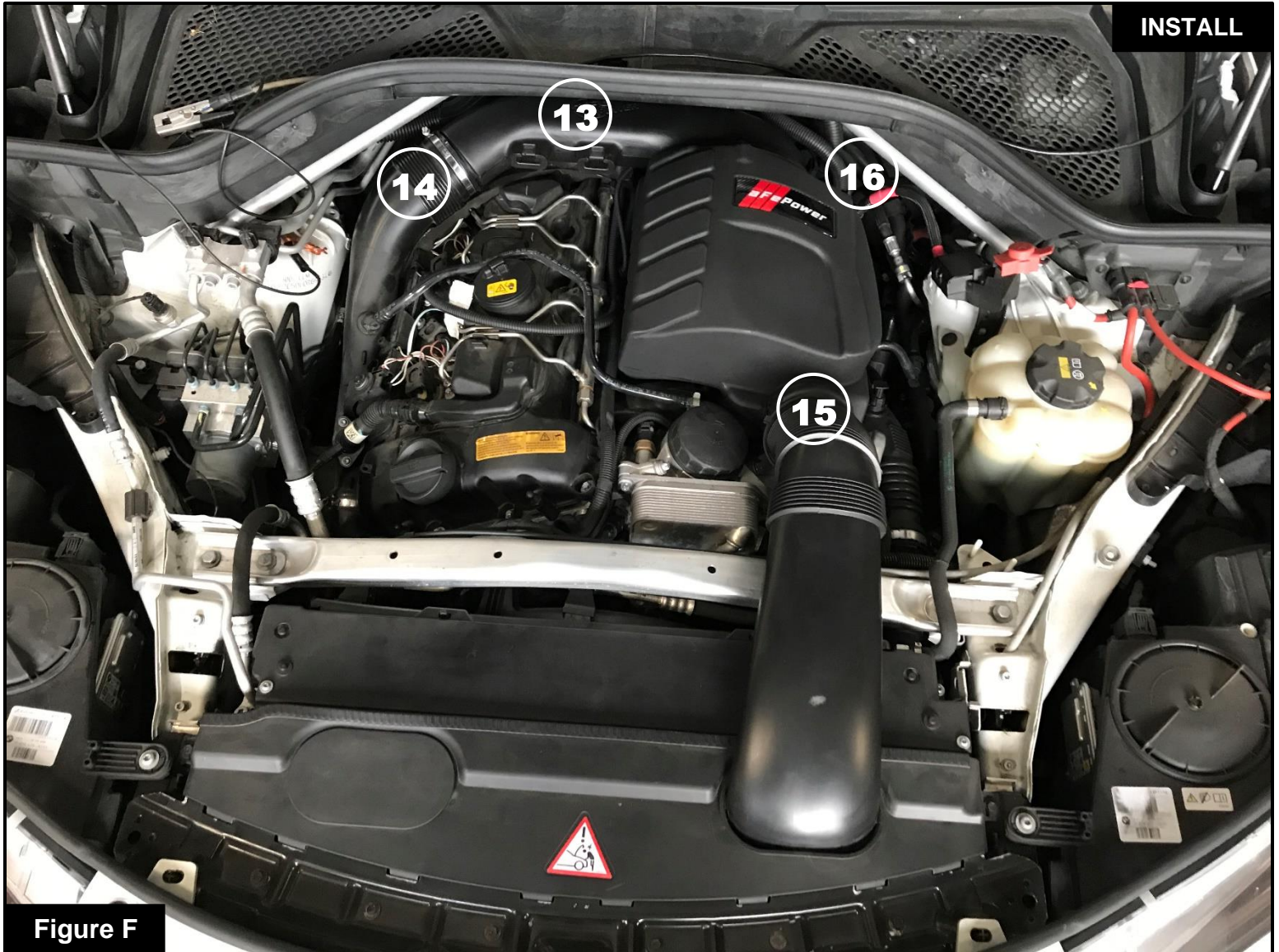


Figure F

**Refer to Figure F for Steps 16-20**

Step 16: To install the aFe Power intake into the vehicle, first connect the MAF harness to the MAF sensor (13).

Step 17: Next, align and insert the aFe Power intake tube into the factory intake tube (14). Do not tighten the clamp at this time.

Step 18: Finally, firmly press down on the aFe Power housing to slide the grommets onto the factory mounts.

Step 19: Connect the factory intake duct to the aFe Power housing (15).

Step 20: Attach the three (3) factory harnesses from Step 2 onto the bracket on the aFe Power housing (16).



Figure G

**Refer to Figure G for Steps 21-23**

Step 21: Tighten the clamp at the factory intake tube ⑰.

Step 22: Re-install the engine cover.

Step 23: Make sure all connections are tight and secure. Your install is now complete. Thank you for choosing aFe Power!

**NOTE: Check all bolts, clamps, and connectors after 100-200 miles.**



**This page left blank intentionally.**



**This page left blank intentionally.**



**This page left blank intentionally.**



Pro DRY S Air Filter



P/N: 21-90116

Pro 5R Air Filter



P/N: 24-90116

Pro DRY S Restore Kit



P/N: 90-59999

Blue Squeeze Restore Kit



P/N: 90-50501

Pre-filter



P/N: 28-10033

SCORCHER BLUE



P/N: 77-86311

SCORCHER GT



P/N: 77-46311

SPRINT BOOSTER V3



P/N: 77-16306

To purchase any of the items above, view airflow charts, dyno graphs, photos, and video; please go to [aFepower.com](http://aFepower.com).



# Warranty

## General Terms:

- aFe warrants their products to be free from manufacturer's defects due to workmanship and material.
- This warranty applies only to the original purchaser of the product and is non-transferrable.
- Proof of purchase of the aFe product is required for all warranty claims.
- Warranty is valid provided aFe instructions for installation and/or cleaning were properly followed.
- Proper maintenance with regular inspections of product is required to insure warranty coverage.
- Damage due to improper installation, abuse, unauthorized repair or alteration is not warranted.
- Incidental or consequential damages or cost, including installation and removal of part, incurred due to failure of aFe product is not covered under this warranty.
- All warranty is limited to the repair and/or replacement of the aFe part. To request Return Goods Authorization ("RGA"), email RGA@afepower.com or call (951)493-7100. Upon receipt of the RGA, you must return the product to the address provided in the RGA, freight prepaid and accompanied with a dated proof of purchase and the RGA. Upon receipt of the defective product and upon verification of proof of purchase, aFe will either repair or replace the defective product within a reasonable time, not to exceed thirty days.

Product Category	P/N Prefix	Warranty duration
Direct OE Replacement Filters	10, 11, 30, 31, 71, 73	Life of the vehicle
Racing Filters	18	1 year
Universal	20, 21, 23, 24, 72, TF	2 years
Air Intake Systems	50, 51, 53, 54, 55, 56, 57, 58, 75, TR, TA, TL, TM	2 years
Exhaust Systems	49	2 years
Intercoolers & Intercooler Tubes	46-2	2 years
Intake Manifolds	46-1	2 years
Differential Cover	46-7	Life of the vehicle
Exhaust Manifolds	46	2 years
Throttle Body Spacers	46-3	2 years
Turbochargers	46-6	2 years*
Fluid Filters	44	90 days
Pre-Filters	28	2 years
Heavy Duty OE Replacement	70	2 years
PowerSports OE Replacement	81, 87	2 years
PowerSports Intake Systems	85	2 years

No other warranty expressed or implied applies nor is any person or advanced FLOW engineering authorized to assume any other warranty. Some States do not allow the exclusion or limitation of incidental or consequential damages or do not allow limitations on how long an implied warranty lasts, so the above limitations or exclusions may not apply to you. This warranty gives you specific legal rights, and you may also have other rights which vary from State to State.

\*See turbocharger warranty for more info



***advanced FLOW engineering, inc.***

252 Granite Street Corona, CA 92879  
TEL: 951.493.7100 • TECH: 951.493.7134  
E-Mail: Tech@aFepower.com

P/N: 06-81265