



Installation Instructions

For Part Numbers:

204-104 704-420 Airaid Oiled Media Filter - Yellow
 205-104 705-420 SynthaMax Dry Media Filter - Yellow

NOT LEGAL FOR SALE OR USE ON ANY POLLUTION CONTROLLED MOTOR VEHICLE IN CALIFORNIA OR STATES ADOPTING CALIFORNIA EMISSION PROCEDURES.

See Airaid.com for CARB status on each part for a specific vehicle



1988-94 CHEVROLET Blazer 5.7L
 1988-95 CHEVROLET/GMC C/K1500/2500 Pickup 4.3L/5.0L/5.7L
 1992-95 CHEVROLET/GMC C/K1500/2500 Suburban 5.7L
 1988-95 CHEVROLET/GMC C/K3500 Pickup 5.7L
 1988 CHEVROLET/GMC R/V 10 Suburban 5.7L
 1989-91 CHEVROLET/GMC R1500/2500 Suburban 5.7L
 1988 CHEVROLET R 20/30 Pickup 5.7L
 1988 CHEVROLET/GMC R/V20 Suburban 5.7L
 1989-91 CHEVROLET R/V3500 Pickup 5.7L
 1995 CHEVROLET Tahoe 5.7L
 1989-91 CHEVROLET V1500 Suburban 5.7L
 1989-91 CHEVROLET/GMC V2500 Suburban 5.7L
 1988 CHEVROLET V30 Pickup 5.7L
 1988-91 GMC Jimmy 5.7L
 1988-89 GMC R2500 Pickup 5.7L
 1988 GMC R2500 Suburban
 1988-91 GMC R/V3500 Pickup 5.7L
 1988-91 GMC V1500/2500 Suburban 5.7L
 1992-95 GMC Yukon 5.7L

Component Identification

1. 704/705-420	Airaid Premium Filter	1
2. KIT104H	Plastic "Hat"	1
3. KIT104TAC-2	13" x 3.5" Tube	1
4. KITP300	3.5" x 3.5" Coupler	1
5. 09988	5.25" Gasket	1
6. KITSNP16M4	Black Speed Clamp	2
7. KIT104S	Bent Black Stud	1
8. KIT104NUT	Aluminum Polished Nut	1
9. KIT104B	Silver Bracket	1
10. 8-157	90° Plastic Elbow	1
11. KITHOSE28	1/2" x 4" Hose	1
12. KITGRMT03	Rubber Grommet	1
13. KIT31CNNEH	Serrated 5/16-18 Nut	1
14. KIT60CNFHPZ	M6-1 Hex Nut	1
15. KIT31C75HCS5	5/16-18 x 3/4 Hex Bolt	1

Full color instructions can be viewed on our web site at Airaid.com

If you need any assistance please call 1-800-858-3333 to speak with a representative in our Customer Service Center before returning the product.

I DISCONNECT NEGATIVE (-) BATTERY CABLE

II Remove Factory Intake Assembly

- Loosen the wing on the top of the factory air intake assembly and remove assembly from vehicle.
- Remove and discard the 1" crankcase breather ring. See Fig#1 (save valve cover breather tube for later use)
- Use a 13mm socket and wrench to remove the strap that secures the silencer tube on the passenger side fender housing. See Fig#2
- Remove entire factory air cleaner assembly from vehicle.

III 1988-1992 : Install the AIRAID Throttle Body Stud and Airaid Hat

- Replace the "S" shaped threaded stud into the top of the throttle body. (Note: also screw the 6mm serrated nut onto the stud.) See Fig#3

IV 1993-1995: Install the AIRAID Throttle Body Stud and Airaid Hat

- Remove the two air cleaner hold down studs with a 5/16" wrench. See Fig# 4. Take care not to loosen throttle body.
- Screw the "S" shaped 1/4"x20 threaded stud into the top of the throttle body. (Note: The factory threaded hole is 1/4"x20 thread, located in front of the injectors and between the throttle bores.) See Fig#3
- Also screw the 6mm serrated nut onto the stud. See Fig#3

V Mount the AIRAID Intake System Brace

- Locate the dipstick tube mounting bracket on the passenger side cylinder head. Using a 3/8" socket, remove the bolt and save for later use.
- Carefully pull the dipstick away from the cylinder head and position the silver Airaid mounting bracket between the cylinder head and the dipstick bracket. See Fig#5
- Reinstall bolt and tighten loosely so that adjustments may be made later.

VI Assemble and Install the AIRAID Intake System (Refer to Fig#6 & Fig#7)

- Check for and remove any foreign debris in the intake tube and filter.
- Insert rubber grommet into the hole in the rear of the Airaid hat.
- Insert the black plastic elbow into the grommet hole in the rear of the Airaid hat.
- Place the supplied gasket around the top perimeter of the throttle body.
- Position the Airaid hat over the throttle body and guide over the Airaid stud.
- Tighten the Airaid hat loosely with the billet nut provided.
- Insert 1/2" x 4" hose over plastic elbow and connect to valve cover breather tube, secure using the two black clamps provided.
- Slide the stainless steel clamp with rubber insert over the opening of the Airaid hat.
- Insert the silver Airaid tube into the stainless steel coupler, connecting the tube to the hat.
- Align the tab on the tube with the end of the bracket attached to the dipstick bracket and fasten with the hardware provided.

VI Finishing Up

- Tighten all clamps, brackets, nuts & bolts.
- Inspect overall work and check hood clearance.
- Re-connect negative battery cable.

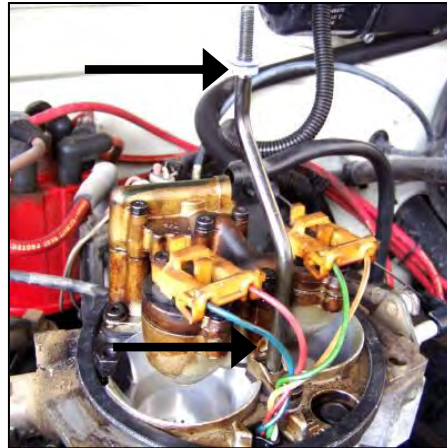
FIG#1



FIG#2



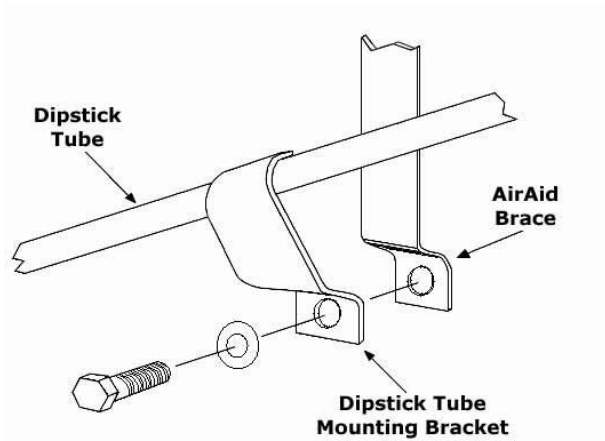
FIG#3



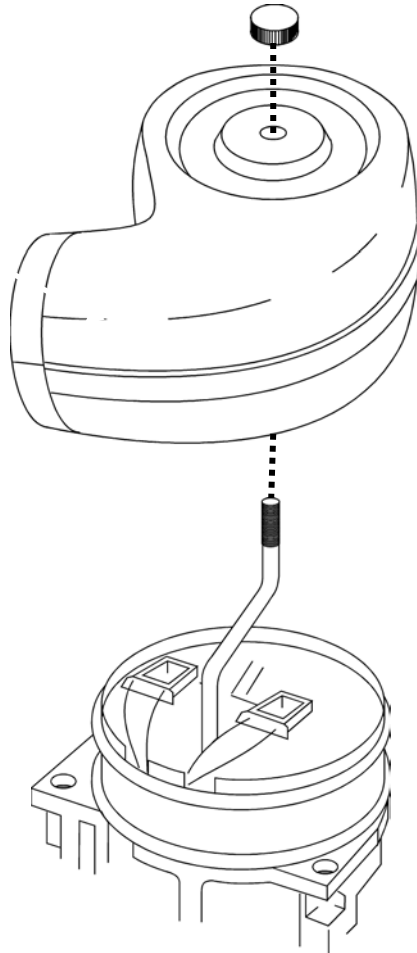
FIG#4



FIG#5



FIG#6



FIG#7



Place the Airaid Decal onto the Tube as shown.



WARNING! If your vehicle has a Vehicle Emission Control Information decal affixed to the factory airbox, a new replacement label must be obtained and installed in a readily visible position in the engine compartment in order to remain CARB compliant. Failure to do so will prevent the vehicle from passing a smog check. Replacement labels can be ordered from your local dealership. Regulations state that the VECI label shall not be affixed to any equipment which is easily detached from the vehicle. Label placement, under the hood on a painted surface is recommended.

Thank you for purchasing the Airaid Intake System. Contact Airaid @ (800) 498-6951 8:00 AM - 5:00 PM MST weekdays for questions regarding fit or instructions that are not clear to you. Your Airaid Intake System was carefully inspected and packaged. Check that no parts are missing, or were damaged during shipping. If any parts are missing, contact Airaid. The air filter element is protected from direct exposure to water and debris; care should be taken not to drive through deep water. WATER INGESTION IS THE DRIVERS RESPONSIBILITY! The air filter is reusable and should be cleaned periodically.

For your Oiled media filter we suggest using the AIRAID Filter Tune-Up Kit!



NOT LEGAL FOR SALE OR USE ON ANY POLLUTION CONTROLLED MOTOR VEHICLE IN CALIFORNIA OR STATES ADOPTING CALIFORNIA EMISSION PROCEDURES.
See Airaid.com for CARB status on each part for a specific vehicle

P/N 790-551 Aerosol Spray
P/N 790-550 Squeeze Spray

SynthaMax

Do Not Oil

Synthamax Air Filters do not require oil. Service air filter as needed by cleaning with common non-petroleum all-purpose household cleaner and water. Simple Green®, Formula 409® or equivalent works great. Apply cleaner to outside of air filter and allow to soak. Then flush filter clean from the inside out with a garden hose and repeat steps if necessary. Do not apply high pressure water or air to clean filter. Allow filter to air dry and reinstall.