



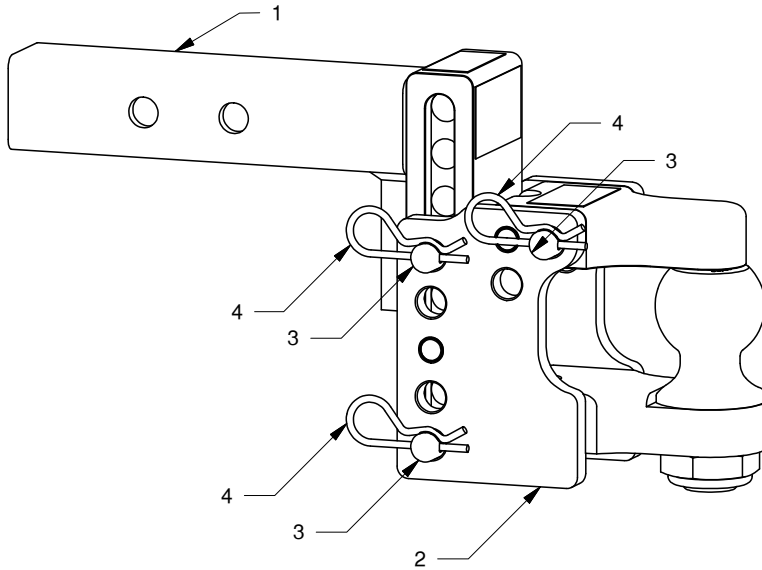
B&W Trailer Hitches
 1216 Hawaii Rd / PO Box 186
 Humboldt, KS 66748
 P:800.248.6564
 F:620.869.9031

Call or Email us for
Installation Support
 hitches@turnoverball.com
 www.bwtrailerhitches.com

Tow & Stow® Pintle Hitch Operating Instructions

MODEL TS10055 TS10056
TS20055 TS20056

See Limited Lifetime Warranty at
turnoverball.com/warranty



PARTS LIST		
ITEM	DESCRIPTION	QTY
1	Pintle Mount	1
2	Pintle Hook / Ball Assembly	1
3	Stainless Steel Pin	3
4	3/4" Cotter Pin	3

⚠ WARNING Failure to comply with the safety information in these instructions could result in serious injury or death.

- ⚠ Read all installation and operating instructions along with all labels before using this product.
- ⚠ Without proper knowledge, towing can be a dangerous activity. Understand all the risks involved with towing before proceeding. For information on towing safety, see **"The Trailer Handbook: A Guide to Understanding Trailer and Towing Safety"** from the National Association of Trailer Manufacturers, www.NATM.com.
- ⚠ The Tow & Stow Pintle hitch comes equipped with a 2" or 2-5/16" ball. Trailers towed with the ball provided must have the correct coupler. Towing with a larger coupler could cause loss of attachment between the trailer and the tow vehicle.
- ⚠ This product was designed to fit vehicles in their original, "as manufactured" condition. Compatibility with vehicles having replacement parts, or other modifications is not guaranteed. Inspect vehicle for modifications before installation of this product.
- ⚠ Do not attach safety chains to the Tow & Stow Pintle hitch. Doing so eliminates the redundancy needed for safe towing. Always use designated safety chain hookup locations on the frame of the tow vehicle.
- ⚠ Do not exceed tow or tongue rating of coupler, tow or tongue rating of hitch, or tow or weight ratings of tow vehicle or trailer. See vehicle and trailer manufacturer information for ratings. Exceeding these ratings may cause damage to towing components or loss of attachment between the trailer and tow vehicle.
- ⚠ Two pins are required to adequately attach the swing arm to the pin block. Towing with fewer pins could cause damage and/or loss of attachment between the swing arm and the pin block. Always check that pins and cotter pins are in place and secure before towing.
- ⚠ Do not modify this product in any manner. Doing so could alter its integrity and lead to a loss of attachment between the trailer and the tow vehicle.
- ⚠ A visual inspection of the hitch should be performed before each time you tow. Regularly check that all pinned connections are secure, and that all bolted connections are at the correct torque specification. Check for cracks or damage to the hitch. Do not tow with the hitch if cracks or damage outside of normal wear is found. Towing with a hitch that has cracks or damage could result in damage to the tow vehicle, trailer, towing components or loss of attachment between the tow vehicle and trailer.

PINTLE HITCH OPERATING AND ADJUSTMENT GUIDE

- **Adjusting the height of the Tow & Stow Pintle Hitch.** The Pintle hitch will be shipped in the "Stow position", see Figure 1. To adjust the hitch position and height remove the two stainless-steel pins securing the pintle hook to the pintle mount. Move the pintle hook to the desired position and replace the two pins, see Figure 2.
- **Reversing the pintle hook for more adjustment options.** The pintle hook can be reversed so that the Pintle mount may be placed in the receiver with the adjustable pin block away from the ground for greater height adjustment, see Figure 3. To reverse the Pintle hook, remove the two stainless-steel pins securing the pintle hook to the pintle mount. Move the pintle hook to the "Stow position" and pull the pintle hook out of the adjustable pin block by guiding the sliding pins out of the two slots in the adjustable pin block, see Figure 4. Flip the pintle hook over and replace in the adjustable pin block, see Figure 5. Move the pintle hook to the desired position and replace the stainless-steel pins.
- **Using the Pintle lock.** The Pintle hitch lock sits over the ball and is required when coupling to a ring. The lock has one stainless steel pin which locks it into place. When using the Pintle hitch ball to tow, remove the stainless-steel pin and flip the lock up 90°. The lock should slide down to allow the pin to be placed in a lower hole in the pintle hook. Replace the pin in the lower hole to keep the lock in this position, see Figure 6.

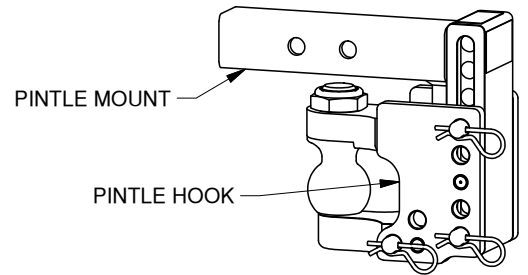


Figure 1: Stow position.

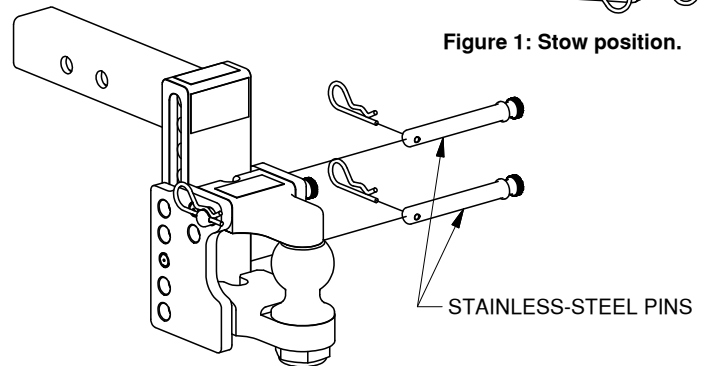


Figure 2: Pintle hook positioning.

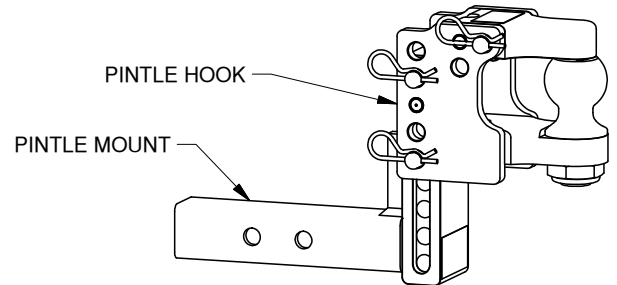


Figure 3: The pintle hook in the highest position.

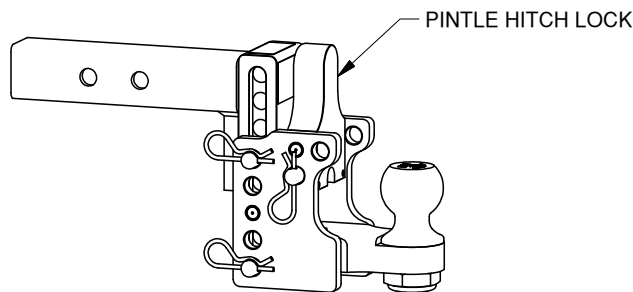


Figure 6: Pintle lock open.

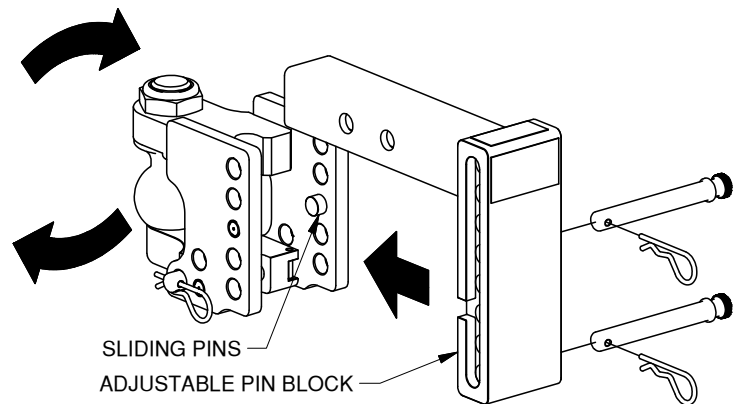


Figure 4: Removing and rotating the pintle hook.

PRODUCT MAINTENANCE

- Lubricate parts of the hitch using a petroleum or Teflon based lubricant:
- Lubricate the stainless-steel pins and pin block holes monthly for optimal performance.
- In areas where salty road conditions may exist spray entire hitch with lubricant to help reduce corrosion.
- Always keep your hitch clean and free from grit, salt, and road grime.

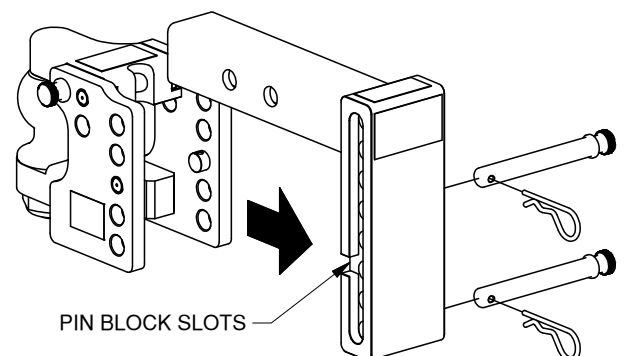


Figure 5: Replacing pintle hook.