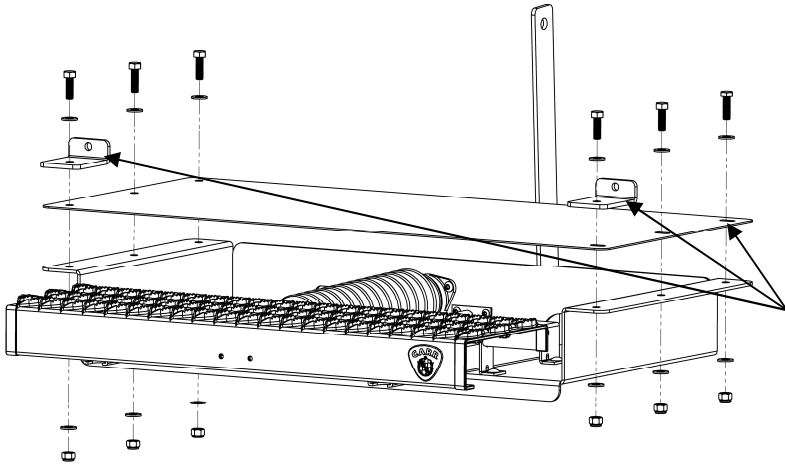
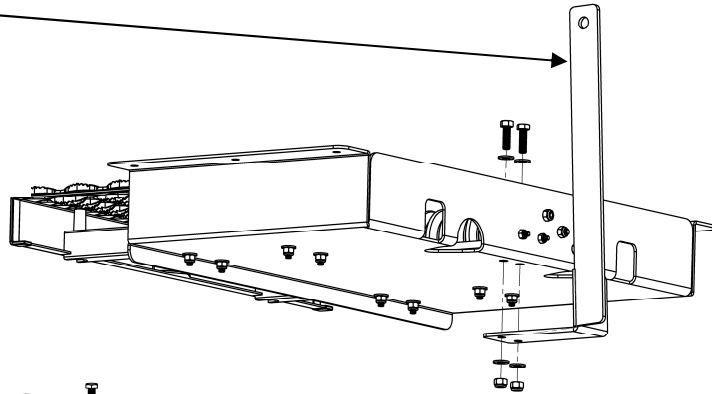


# Work Truck Step Installation Instructions for Mercedes Sprinter Van

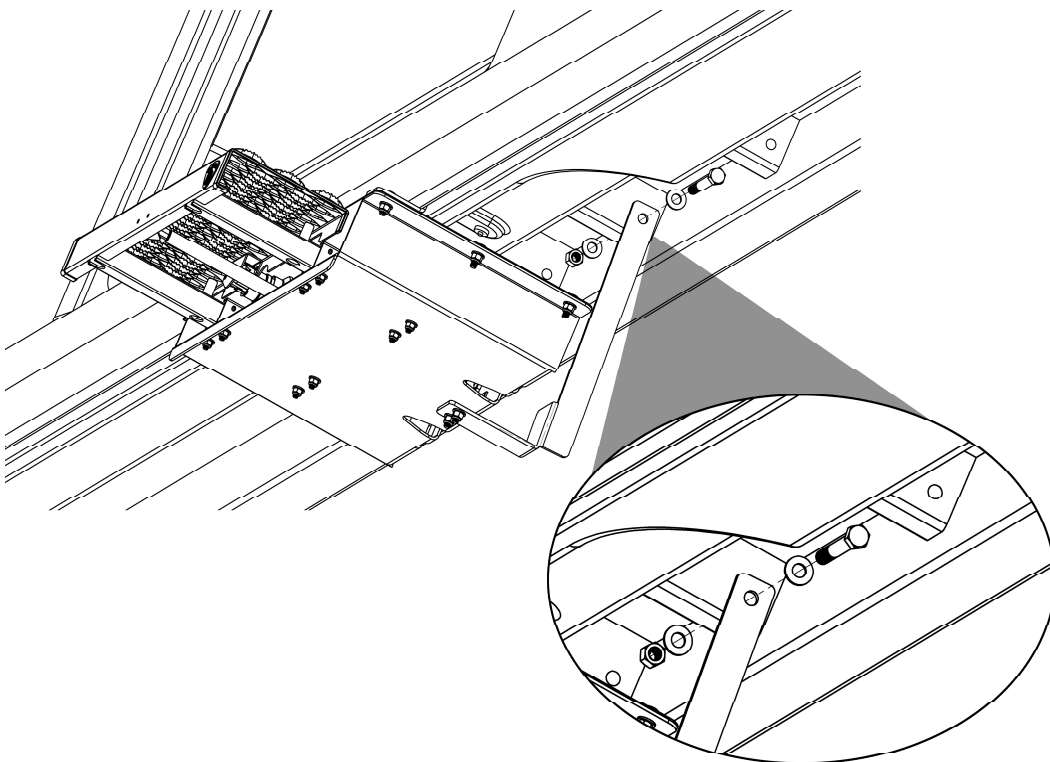
## Part No: 501080



1. Mount the Rear Steel Bracket to the pan with 5/16" hardware provided and securely tighten them to the pan. Use the two 1" long 5/16" bolts for these brackets.



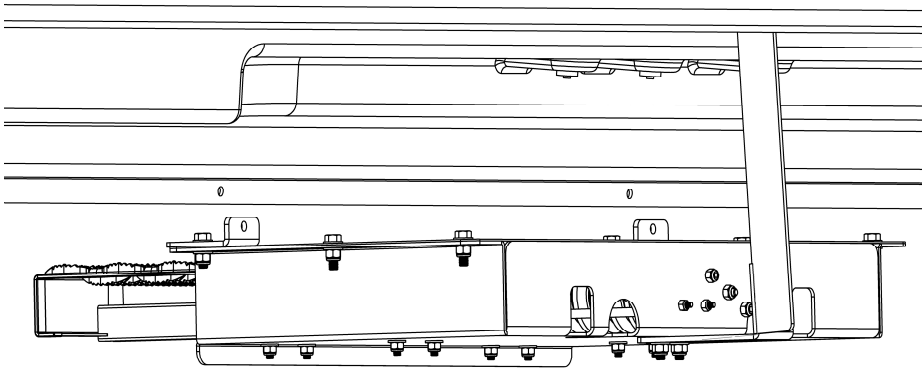
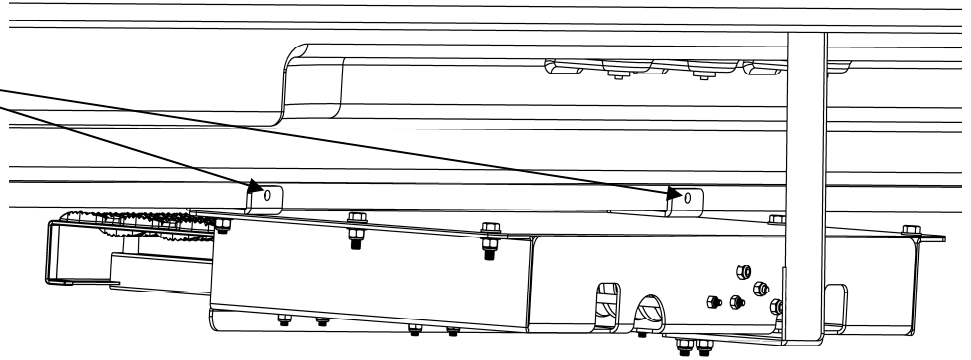
2. Assemble the cover and Front Steel Brackets to the step assembly as shown. Use the 1" long 5/16" bolts and the 5/16" washers and nylon lock nuts for this assembly. Securely tighten all of these bolts.



3. Take the entire step assembly and lift it up inside the vehicle behind the side door. It is highly recommended to use a floor jack or something to rest the step assembly on while completing this step. Make sure the Rear Steel Bracket is up against the middle cross member as shown. Take the 1/2" hardware and assemble it to the vehicle but only hand tighten. This 1/2" bolt assembly will be tightened in step 7.

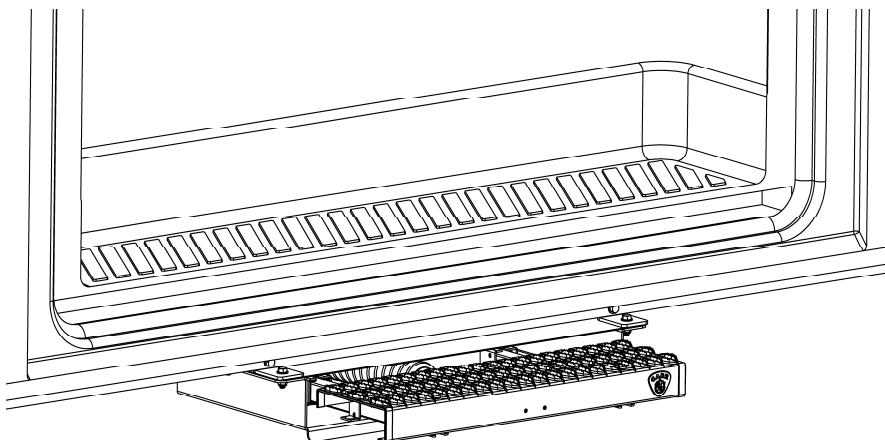
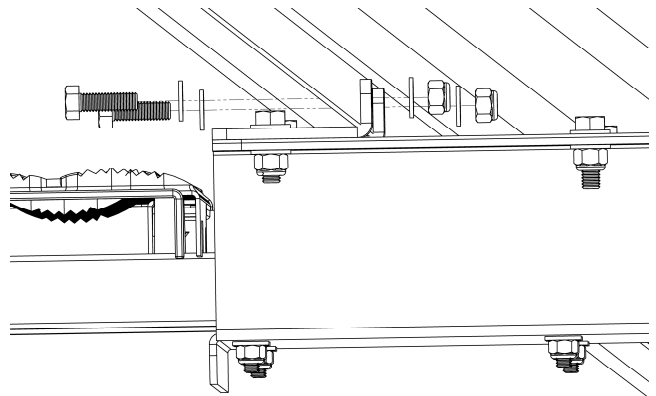
# Work Truck Step Installation Instructions for Mercedes Sprinter Van Part No: 501080

4. With the step assembly resting on a floor jack or something similar take a pencil or pen and use the holes in the Front Steel Brackets as a guide and mark 2 holes on the inside surface of the pinch weld.



5. Lower the front end of the step down to expose the marked holes. Take a drill motor (a right-angled drill motor will make this easier) with an 1 1/32" drill bit and drill out the marked holes. Remove all burrs.

6. Take the remaining 5/16" hardware and securely tighten the Front Steel Brackets to the vehicle. Now go back and securely tighten the 1/2" bolt assembly to the vehicle. The Rear Steel Bracket will be slightly at an angled which does not cause any issue regarding the installation.



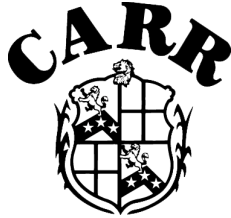
7. Now your step is ready to go. Push the step in to lock in its closed position. Push it again to deploy it. We recommend using a garage door opener silicone spray on the rails from time to time to insure smooth operation of the step.

# Work Truck Step Installation Instructions for Mercedes Sprinter Van

## Part No: 501080

### WARNINGS!

- ✓ FOR SAFE AND PROPER USAGE OF THIS PRODUCT, THE MOUNTING INSTRUCTIONS MUST BE FOLLOWED CAREFULLY AND COMPLETELY.
- ✓ The manufacturer and distributor of this product are in no way responsible for the consumer's failure to adhere to the warnings and directions of these instructions in the event of damage to the consumer's vehicle, other properties and/or personal injury.



### Quality and Style that Endures

Follow the diagram and the written directions carefully for a proper, safe installation.

Should you encounter an unusual, unforeseen problem, contact our Technical Help Line

7:00 AM – 3:00 PM Pacific  
Time

(800) 800-1084

Visit our web-site at

[www.CARR.com](http://www.CARR.com)

Carr Pattern Co., Inc.

### MAINTENANCE NOTE:

We recommend using a garage door opener silicone spray on the rails from time to time to insure that the step slides in and out easily.

### Vehicle Application:

'12-'16 Mercedes Sprinter Van

### MATERIALS NEEDED:

- \* Drill motor
- \* Impact wrench (if available)
- \* 11/32 drill bit
- \* Pencil or some marking device
- \* 2 – 1/2" wrenches or sockets
- \* 2 – 3/4" wrenches or sockets

### MATERIAL FURNISHED:

- \* Step Assembly
- \* 2 – Front Steel Brackets
- \* 1 – Rear Steel Brackets
- \* 1 – Cover Plate
- \* Hardware installation pack
- \* Instruction sheet

Installation time for one step assembly – 45 minutes

### Carr Pattern Co., Inc. Warranty Policy

**Finishes:** Limited Lifetime

**Structural Warranty:** Limited Lifetime

#### Warranty Conditions:

- All warranties start from consumer's date of purchase.
- A new product will be sent out immediately to replace a warranty claim.
- The above guidelines apply only to the Original Purchaser.
- Original proof of purchase must be submitted for all warranty and returns issues.

#### Warranty Limitations:

- Warranty coverage extends ONLY to repair or replacement of the CARR product. This warranty does not cover the cost of labor, transportation, installation or removal of the product.
- Warranty coverage does not extend to damage caused by: collision, fire, theft, freezing, vandalism, riot, explosion or object striking the product, or misuse of the product and/or the vehicle on which the product is being installed.
- Warranty coverage does not extend to damage caused by: airborne fallout (chemicals, tree sap, etc.), stones, hail, earthquake, water or flood, windstorm, lightning, the application of chemicals or sealants subsequent to manufacture.
- Warranty coverage does not extend to damages caused by: normal wear and tear, abuse, modification or improper installation of the product.
- Warranty coverage does not extend to any economic loss or extra expense including (without limitation), payment for the loss of time or pay, inconvenience, storage, loss of vehicle use, vehicle rental expense, equipment rental expense, lodging, meals, or other travel costs.

#### Other Terms:

This warranty gives you specific legal rights and you may also have other rights that vary from state to state. CARR does not authorize any person to create for it any other obligation or liability in connection with its products. ANY IMPLIED WARRANTY OF MERCHANTABILITY OR FITNESS FOR A PARTICULAR PURPOSE APPLICABLE TO THIS PRODUCT IS LIMITED IN DURATION TO THE DURATION OF THIS WRITTEN WARRANTY. PERFORMANCE OF REPAIRS AND NEEDED ADJUSTMENTS IS THE EXCLUSIVE REMEDY UNDER THIS WRITTEN WARRANTY OR ANY IMPLIED WARRANTY. CARR SHALL NOT BE LIABLE FOR INCIDENTAL OR CONSEQUENTIAL DAMAGES RESULTING FROM BREACH OF THIS WRITTEN WARRANTY.\*

\*Some states do not allow limitations on how long an implied warranty will last or the exclusion or limitation of incidental or consequential damages, so that above limitations or exclusions may not apply to you.

**Guarantee:** Every attempt has been made to manufacture and distribute the finest quality products available. Our manufactured products are guaranteed to be free of defects due to workmanship or materials. Distributed products are subject to manufacturer's warranty only.