

YEARS: 2015-PRESENT

MAKE: JEEP

MODEL: RENEGADE

STYLE: SUV

WARNING: NEVER EXCEED YOUR VEHICLE MANUFACTURER'S RECOMMENDED TOWING CAPACITY
 For more information log onto www.curtmfg.com & for helpful towing tips log onto www.hitchinfo.com

WEIGHT CARRYING:
 TRAILER WEIGHT: 3500 LBS.
 TONGUE WEIGHT: 350 LBS.

WARNING:
 WE RECOMMEND THE USE OF 18050 STABILIZING STRAPS FOR ALL NON-TRAILER (WHEEL-LESS) LOADS. PLEASE SEE THE CURT CATALOG OR VISIT US ONLINE AT WWW.CURTMFG.COM FOR FURTHER INFORMATION.

PRO INSTALL TIME: 30 MIN.
NOVICE INSTALL TIME: 60 MIN.

IF YOU ARE HESITANT TO UNDERTAKE THIS TASK ON YOUR OWN, CONTACT AN AUTHORIZED CURT INSTALLER FOR ADDITIONAL ASSISTANCE.

INSTALLATION TIPS:

- BEFORE YOU BEGIN INSTALLATION, READ ALL INSTRUCTIONS THOROUGHLY.
- TO EASE INSTALLATION, 2 PEOPLE MAY BE REQUIRED.
- USING PROPER TOOLS WILL GREATLY IMPROVE THE QUALITY OF THE INSTALL AND REDUCE THE TIME REQUIRED.
- NEED HELP OR HAVE SOME QUESTIONS? CALL TECHNICAL SUPPORT AT 800.798.0813

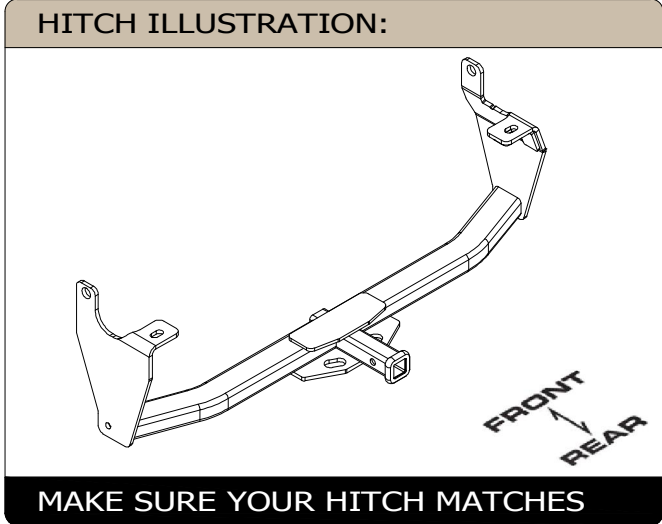


INSTALLATION REQUIRES:

RATCHET	3/4" 21 mm SOCKET	8" SOCKET EXTENSION
DIE GRINDER	TORQUE WRENCH	UTILITY KNIFE
UNIVERSAL JOINT SOCKET	OFFSET SCREWDRIVER	

LEVEL OF DIFFICULTY: MODERATE

EASY	MODERATE	CHALLENGING
	(2) HOLE ENLARGEMENT REQUIRED	
	FISHWIRE (4) FASTENERS	
	NO DRILL	
	REMOVE (4) RUBBER PLUGS	



PERIODICALLY CHECK THIS RECEIVER HITCH TO ENSURE ALL FASTENERS ARE TIGHT AND ALL STRUCTURAL COMPONENTS ARE SOUND

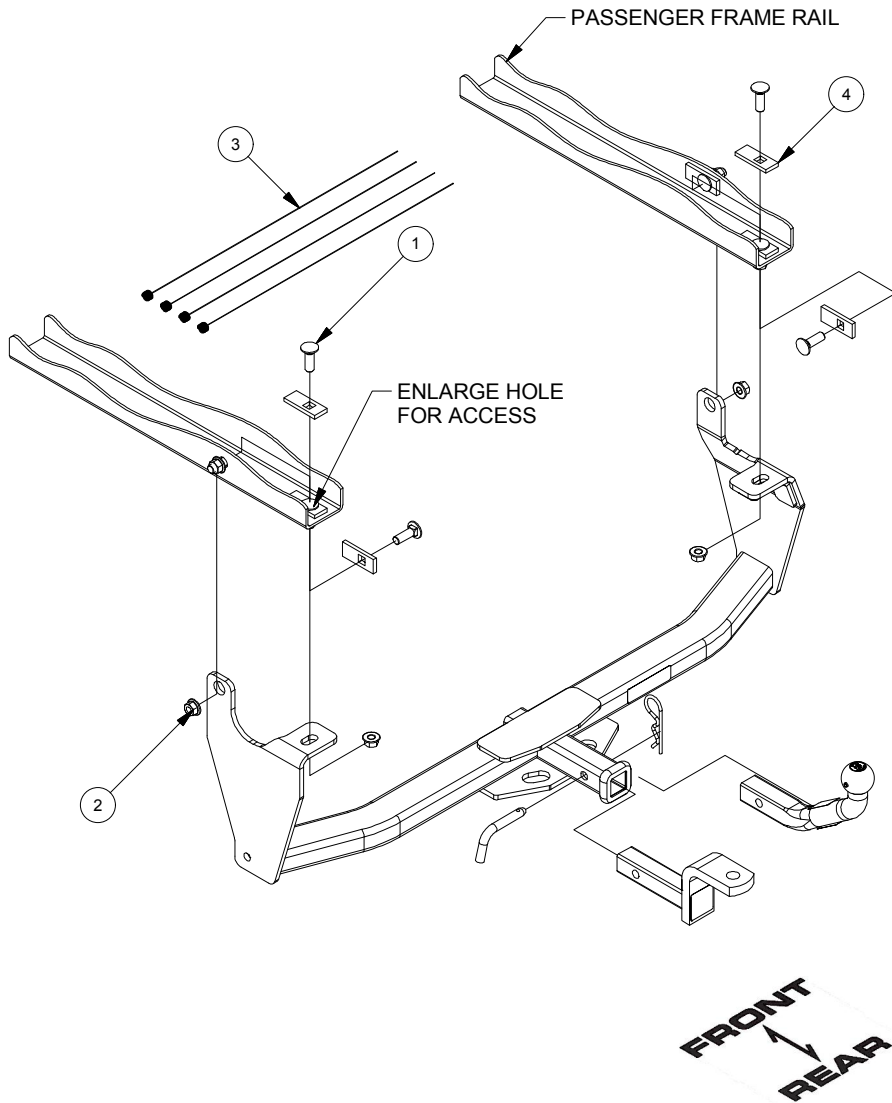
CURT Manufacturing LLC. warrants this product to be free of defects in material and/or workmanship at the time of retail purchase by the original purchaser. If the product is found to be defective, CURT Manufacturing LLC. may repair or replace the product at their option, when the product is returned, prepaid, with proof of purchase. Alteration to, misuse of, or improper installation of this product voids the warranty. CURT Manufacturing LLC.'s liability is limited to repair or replacement of products found to be defective, and specifically excludes liability for incidental or consequential loss or damage.

For more information log onto www.curtmfg.com , & for helpful towing tips log onto www.hitchinfo.com

This product complies with safety specifications and requirements for connecting devices and towing systems of the state of New York, V.E.S.C.Regulation V-5 and SAE J684.

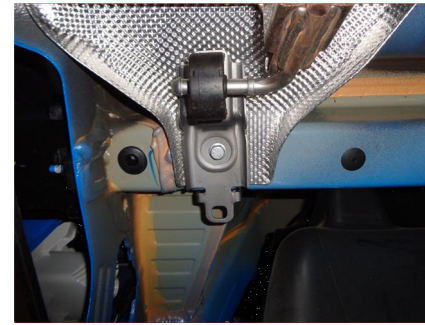
INSTALLATION WALKTHROUGH:

Parts List			
ITEM	QTY	PART NUMBER	DESCRIPTION
1	4	1/2-13 x 1 1/2	CARRIAGE BOLT
2	4	HFN 1213	HEX FLANGE NUT
3	4	1_2 FISHWIRE	1/2" FISHWIRE
4	4	CM-SP10	.250 x 1.00 x 2.50" SQUARE HOLE SPACER

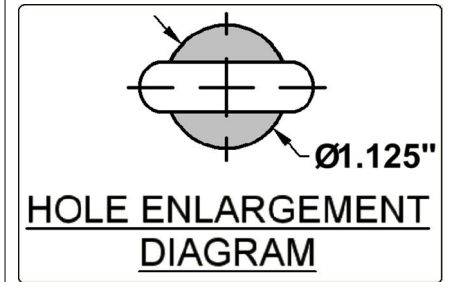
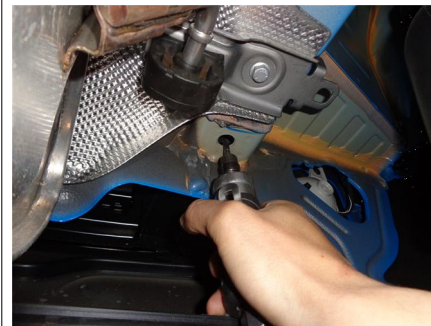


1. Remove the rearmost rubber plugs on the bottom of each frame rail. Remove the forward most rubber plugs on the outside of each frame rail.

NOTE: For applications with a factory tow hook, remove the M14 bolts in these locations using a 21mm socket. Skip to step 5.

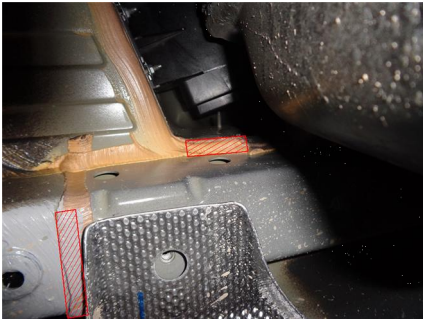


2. Enlarge the rearmost hole with the die grinder on each frame rail to allow the carriage bolts and spacers to be inserted into the frame rail.

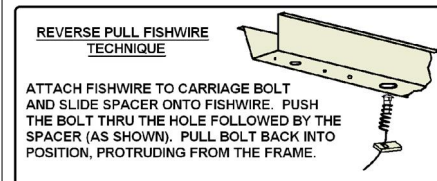


INSTALLATION WALKTHROUGH:

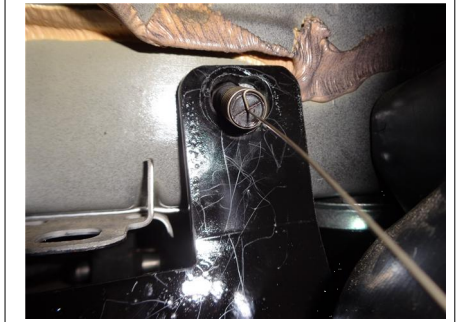
3. Clear away caulk as necessary near mounting holes on both sides using a knife.



4. Fishwire (1) 1/2" carriage bolts and (1) CM-SP10 into the forwardmost holes on the outside of each frame rail. Reverse Fishwire (1) 1/2" carriage bolts and (1) CM-SP10 into the rearmost hole on the bottom of each frame rail leaving the fasteners in the fram until hitch is in position. Keep wires attached until hitch is raised into position.



5. Raise hitch into position, threading the fishwires into the mounting holes. Remove fishwire and loosely install 1/2" Hex Flange Nuts.
NOTE: For applications with a factory tow hook, loosely install factory M14 hardware.



6. Torque all 1/2" hardware to 110 ft.-lbs.
NOTE: For applications with a factory tow hook, torque factory M14 hardware to 135 ft.-lbs.



TOWING SAFETY INFORMATION

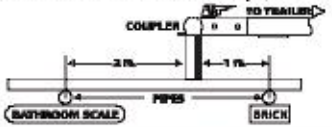
Gross Trailer Weight / GTW

The Gross Trailer Weight is the weight of the trailer & cargo. Measure this by putting the fully loaded trailer on a vehicle scale.



Tongue Weight / TW

The downward force that is exerted on the hitch ball by the coupler. The tongue weight will vary depending on where the load is positioned in relationship to the trailer axle(s). To measure the tongue weight, use either a commercial scale or a bathroom scale with the coupler at towing height. When using a bathroom scale with heavier tongue weights, use the method shown and multiply the scale reading by 3.



Weight Carrying / WC

The total weight of both the trailer and the cargo inside. Never exceed the weight capacity of your trailer hitch.

Weight Distribution / WD

Used to balance the weight of the cargo between the front and rear wheels throughout the trailer, allowing for better steering, braking, and level riding.



Sway Control

A device used to reduce the lateral movements of the trailer that are caused by the wind. This works in conjunction with a weight distribution hitch. Do not use this on a class 1 or 2 hitch, or with surge brakes.

How Much Can You Safely Tow?

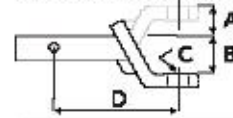
TONGUE WEIGHT (lb)	1000	2000	3000	4000	5000	6000	7000	8000	10,000	12,000	
Tongue weight should be about 10% to 15% percent of the gross trailer weight.	CLASS 1										
	CLASS 2										
	CLASS 3										
	CLASS 4										
	CLASS 5										
TRAILER TYPE	11'	12'	13'	14'	15'	16'					
Coupler											
11c	1100	1200	1300	1400	1500	1600					
Weighted	14'	15'	16'	17'	18'	19'	20'	21'	22'	23'	
11c	2100	2400	2700	3000	3300	3600	3900	4200	4500	4800	
Weighted	14'	15'	16'	17'	18'	19'	20'	21'	22'	23'	
11c	2800	3200	3600	4000	4400	4800	5200	5600	6000	6400	
3-6 Wheel											

Refer to owner's manual for towing capabilities and limitations.

Ball Mount

The ball mount is placed inside the opening of the receiver hitch which is mounted to the vehicle. Make sure a hitch pin and clip is properly securing the ball mount to the receiver hitch before you begin towing.

• A: Rise. B: Drop. C: Hole Size. D: Length.



Trailer Ball

The connection from the hitch to the trailer. There are many factors that determine the correct hitch ball:

- Number one is the hitch ball's gross trailer weight rating.
- The mounting platform must be at least 3/8" thick.
- The hole diameter must not be more than 1/16" larger than the threaded shank.
- Every time you tow, check the nut and lock washer to make sure they are fastened securely.

• A: Ball Dia. B: Shank Dia. C: Shank Length. D: Shank Rise.



Coupler

The component that is placed over the trailer ball to connect the vehicle to the trailer. Be sure that the coupler size matches the size of the hitch ball and that the coupler handle is securely fastened. To determine what size hitch ball you need for your application you will need to know the size of coupler that is on the trailer. Be sure your coupler is properly adjusted to the ball you are using.

NOTE: For added security the use of safety devices such as Coupler Safety Pins and Locks is strongly recommended.

Safety Chains

Safety chains are a requirement and should be crossed under the tongue of the trailer so that the tongue will not drop to the road if it becomes separated from the hitch. Always leave enough slack so you can turn. Never allow the safety chains to drag on the ground and never attach the chains to the bumper.

Trailer Classification: Safety Chain Breaking Force - Minimum

Class 1: 2,000 lbs. (8.9 kN)

Class 2: 3,500 lbs. (15.6 kN)

Class 3: 5,000 lbs. (22.2 kN)

The strength rating of each length of safety chain or its equivalent and its attachments shall be equal to or exceed in minimum breaking force the GVWR (Gross Vehicle Weight Rating) of the trailer.

Electrical

Trailer lights, Electric Brakes, Break-away systems - Every time you tow, be sure to check that all components are working properly.

Wiring identification by color:



12142

JEEP RENEGADE

3/31/2016

GROSS LOAD CAPACITY WHEN USED AS A WEIGHT CARRYING HITCH: 3500 LBS. TRAILER WEIGHT & 350 LBS. TONGUE WEIGHT.

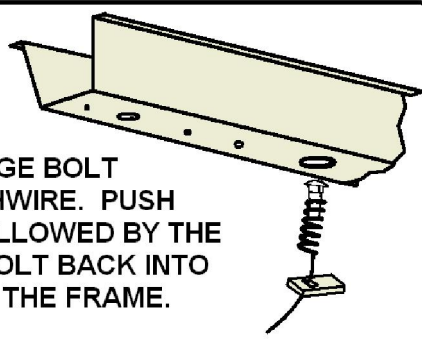
WARNING: ALL NON-TRAILER LOADS APPLIED TO THIS PRODUCT MUST BE SUPPORTED BY 18050 STABILIZING STRAPS.

**WARNING: ** FAILURE TO PROPERLY SUPPORT NON-TRAILER LOADS WILL VOID PRODUCT WARRANTY ******WARNING: *** DO NOT EXCEED VEHICLE MANUFACTURER'S RECOMMENDED TOWING CAPACITY *****FOR MORE INFORMATION LOG ONTO WWW.CURTMFG.COM & FOR HELPFUL TOWING TIPS LOG ONTO WWW.HITCHINFO.COM
HAVING INSTALLATION QUESTIONS? CALL TECHNICAL SUPPORT AT 1-800-798-0813

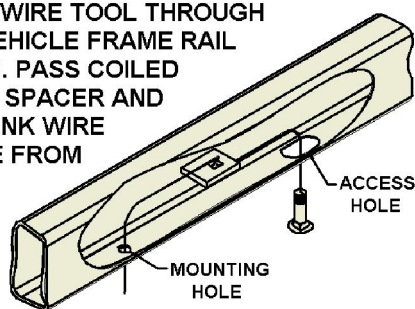
Parts List			
ITEM	QTY	PART NUMBER	DESCRIPTION
1	4	1/2-13 x 1 1/2	CARRIAGE BOLT
2	4	HFN 1213	HEX FLANGE NUT
3	4	1_2 FISHWIRE	1/2" FISHWIRE
4	4	CM-SP10	.250 x 1.00 x 2.50" SQUARE HOLE SPACER

REVERSE PULL FISHWIRE TECHNIQUE

ATTACH FISHWIRE TO CARRIAGE BOLT AND SLIDE SPACER ONTO FISHWIRE. PUSH THE BOLT THRU THE HOLE FOLLOWED BY THE SPACER (AS SHOWN). PULL BOLT BACK INTO POSITION, PROTRUDING FROM THE FRAME.

**FISHWIRE TECHNIQUE**

INSERT COILED END OF FISHWIRE TOOL THROUGH HITCH MOUNTING HOLE IN VEHICLE FRAME RAIL AND OUT THE ACCESS HOLE. PASS COILED END OF FISHWIRE THROUGH SPACER AND THREAD BOLT INTO COIL. KINK WIRE TO KEEP SPACER SEPERATE FROM BOLT AS SHOWN. PULL FISHWIRE, SPACER, AND BOLT THROUGH FRAME AND OUT MOUNTING HOLE. USE FISHWIRE TO GUIDE HITCH DURING MOUNTING AND PREVENT LOSS OF BOLT / SPACER INSIDE FRAME RAIL.



NOTE: SOME VEHICLES MAY FISHWIRE THROUGH END OF FRAME

TOOLS REQUIRED

RATCHET

3/4", 21mm SOCKET

8" SOCKET EXTENSION

DIE GRINDER

TORQUE WRENCH

UTILITY KNIFE

UNIVERSAL JOINT SOCKET

OFFSET SCREWDRIVER

HITCH WEIGHT: 35 LBS.

INSTALL TIME

PROFESSIONAL: 30 MINUTES

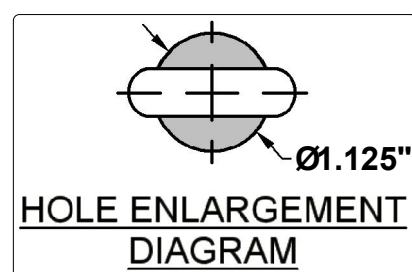
NOVICE (DIY): 60 MINUTES

INSTALL NOTES:

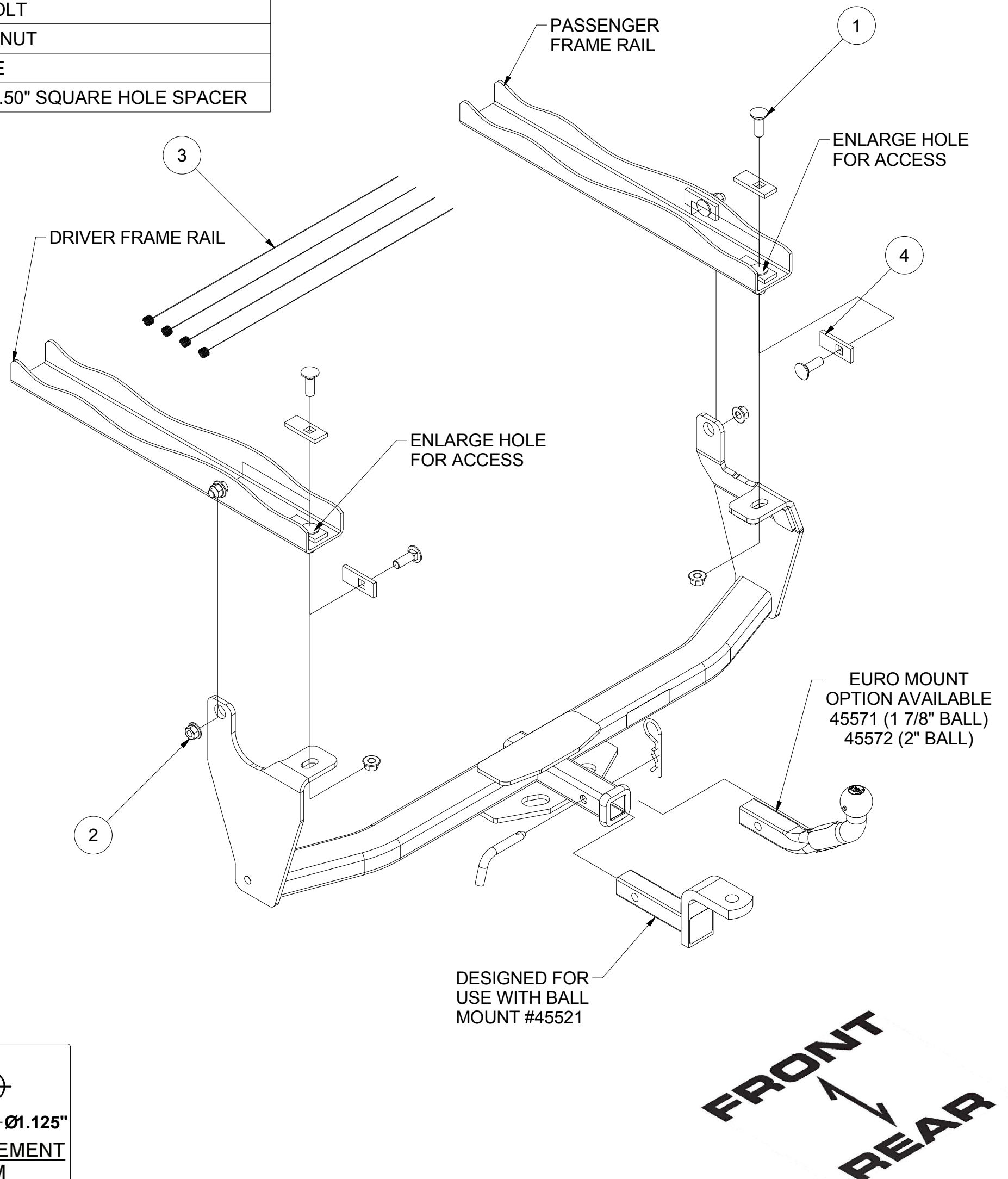
Hole Enlargement

No Drill

Part Removal



HOLE ENLARGEMENT DIAGRAM

**INSTALLATION STEPS**

1. Remove the rearmost rubber plugs on the bottom of each frame rail. Remove the forward most rubber plugs on the outside of each frame rail. **NOTE:** For applications with a factory tow hook, remove the M14 bolts ins these locations using a 21mm socket. Skip to step 5.
2. Enlarge the rearmost hole with the die grinder on each frame rail to allow the carriage bolts and spacers to be inserted into the frame rail.
3. Clear away caulk as necessary near mounting holes on both sides using a knife.
4. Fishwire (1) 1/2" carriage bolts and (1) CM-SP10 into the forwardmost holes on the outside of each frame rail, leaving the fasteners in the frame until hitch is in position. Reverse Fishwire (1) 1/2" carriage bolts and (1) CM-SP10 into the rearmost hole on the bottom of each frame rail. Keep wires attached until hitch is raised into position.
5. Raise hitch into position, threading the Fishwires into the mounting holes. Remove Fishwire and loosely install 1/2" Hex Flange Nuts. **NOTE:** For applications with a factory tow hook, loosely install factory M14 hardware.
6. Torque all 1/2" hardware to 110 ft.-lbs. **NOTE:** For applications with a factory tow hook, torque factory M14 hardware to 135 ft.-lbs.

PERIODICALLY CHECK THIS RECEIVER HITCH TO ENSURE THAT ALL FASTENERS ARE TIGHT AND THAT ALL STRUCTURAL COMPONENTS ARE SOUND.

Scan for more information

CURT Manufacturing LLC., warrants this product to be free of defects in material and/or workmanship at the time of retail purchase by the original purchaser. If the product is found to be defective, CURT Manufacturing LLC., may repair or replace the product, at their option, when the product is returned, prepaid, with proof of purchase. Alteration to, misuse of, or improper installation of this product voids the warranty. CURT Manufacturing LLC.'s liability is limited to repair or replacement of products found to be defective, and specifically excludes liability for incidental or consequential loss or damage.

This product complies with safety specifications and requirements for connecting devices and towing systems of the state of New York, V.E.S.C.Regulation V-5 and SAE J684.