



Installation Guidelines

Soft Roof Kit

RR01

SAFETY

Your safety and the safety of others is very important.

- In order to help you make informed decisions about safety, we have provided installation instructions and other information.
- These instructions alert you to potential injury hazards.
- Please do a job safety analysis before each task to identify potential hazards for your situation and remove/protect against them.
- You must use your own good judgment.
- Read and understand all safety precautions and instructions before installing this product.

**THIS PRODUCT IS FOR OFFROAD USE ONLY. ALL LIABILITY FOR
INSTALLATION AND USE RESTS WITH THE OWNER.**

**CARELESS INSTALLATION AND OPERATION CAN RESULT IN SERIOUS
INJURY OR EQUIPMENT DAMAGE.**

Injury hazard

Failure to observe these instructions could lead to severe injury or death.

- Always remove jewelry and wear eye protection.
- Always use extreme caution when jacking up a vehicle for work. Set emergency brake and use tire blocks. Locate and use the vehicle manufacturers designated lifting points. Use jack stands.
- Always use appropriate and adequate care in lifting components into place.
- Always ensure components will remain secure during installation and operation.
- Always wear safety glasses when installing this kit. A drilling operation will cause flying metal chips. Flying chips can cause serious eye injury.
- Always use extreme caution when drilling on a vehicle. Thoroughly inspect the area to be drilled (on both sides of material) prior to drilling, and relocate any objects that may be damaged.
- Always use extreme caution when cutting and trimming during fitting.
- Always tighten all nuts and bolts securely per installation instructions.
- Always route electrical cables carefully. Avoid moving parts, components that become hot and rough or sharp edges.
- Always insulate and protect all exposed wiring and electrical terminals.
- Always perform regular inspections and maintenance on mounts and related hardware.





Installation Guidelines Soft Roof Kit RR01

Thank you for purchasing a Fab Fours “Soft Roof” Rack modification kit. Sorry to hear you have a soft roof, all vehicle manufacturers have different standards for roof strength in general, and then even model to model.

Included are two different solutions for dispersing the weight of the rack over more of the roof, and/or to a more structurally sound portion of the roof.

BOTH OF THESE SOLUTIONS REQUIRE ADDITIONAL DRILLING AND CRUSH NUTS – TAKE EXTREME CARE.

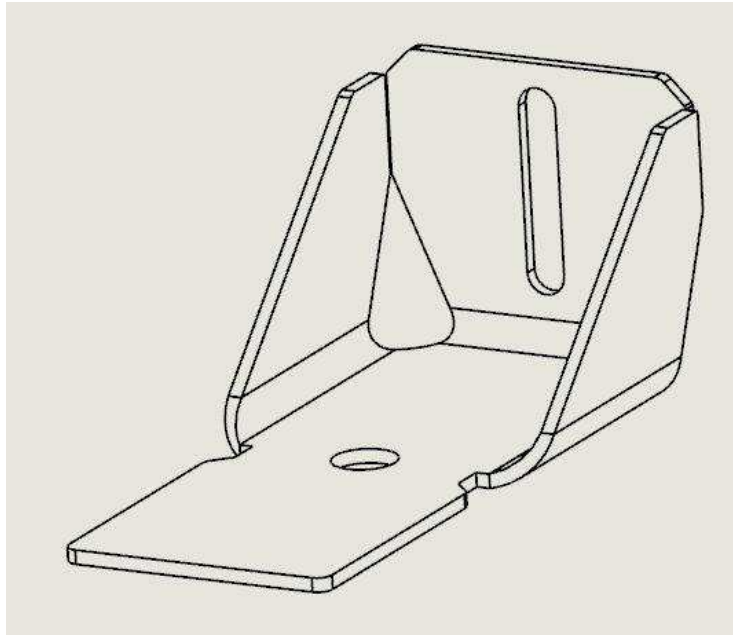
Once again, there is a fair amount of judgment required in selecting the best mitigation plan to your “soft roof”.





Installation Guidelines Soft Roof Kit RR01

Option 1: Included are additional “FEET” that are used to simply spread the weight of the rack to more locations on the roof. This option is nice in the fact that it can be done with the rack in place.



There are 4 included. Start by applying the supplied foam to the bottom of the feet. Your rack may only need one additional per side, or both depending. As with the original rack installation, your primary decision making is based on pushing the roof with your hand in all of the available locations to add the extra “FEET”. These can be added to ANY of the crossbars. Goal is to find a stronger roof section, and to locate it on a flat surface of the roof.





Installation Guidelines

Soft Roof Kit

RR01

- When you have decided the best location, use the supplied 1/4"-20 hardware to snugly mount your "FOOT" to the Rack.
- With this in place, center mark the roof for drilling.
- Remove the "FOOT".
- Drill pilot hole.
- Use the precisely listed bits: 1/8", 1/4" 17/32" (The 17/32" bit was supplied with your original rack purchase. If unavailable, a 9/16" bit can be used.)
- Vacuum away shavings.
- Carefully crush nut. There are 2 primary goals here: 1. Keep the nut flat to the surface at all times. 2. Do not over crush. When it "stops", it is done.
- Mount "FOOT" loosely to the roof using supplied Stainless 3/8" bolt, washer, and rubber washer.

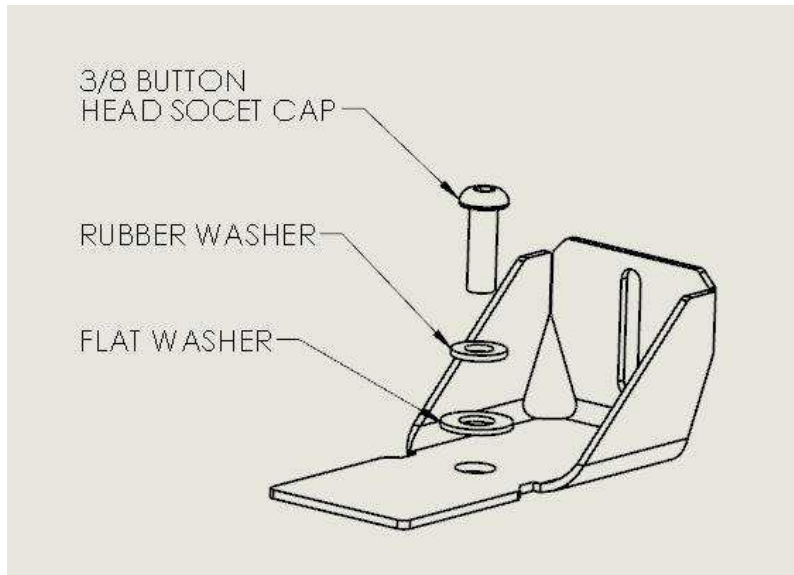




Installation Guidelines

Soft Roof Kit

RR01



- **Mount “FOOT” loosely to the Rack using supplied 1/4”-20 hardware.**
- **Now tighten the “FOOT” securely down to the Roof. This is the important step. Do NOT cross thread. Do NOT force, as you do NOT want to spin the crush nut.**
- **Now tighten the “FOOT” to the Rack. You may want to “pre-load” the rack a small amount up while tightening to make sure that it is taking part of the load.**
- **Repeat for other “FEET”.**
- **Installation complete!**





Installation Guidelines

Soft Roof Kit

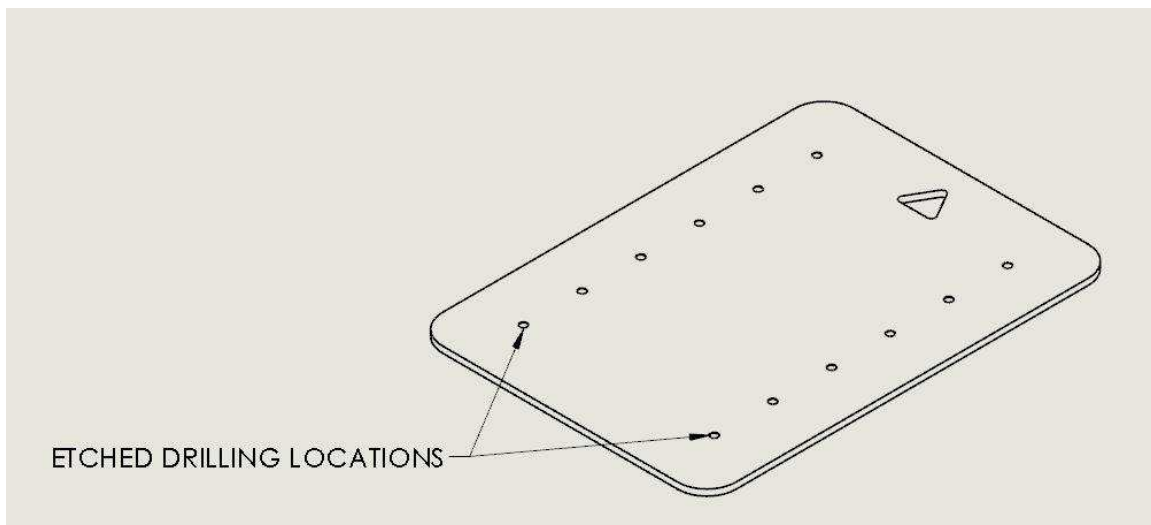
RR01

Option 2: "BIG FOOT" – FOOT WEIGHT DIFFUSER AIDE

If you do not think that adding more "FEET" will solve the problem, due to them also landing on soft portions of the Roof, than this is likely the solution you need. Regardless of Make or Model vehicle, all roofs are more structurally sound by the edge. The premise of the "BIG FOOT" is that you can stretch over to a stronger part of the roof, while also simply spreading the weight.

The "BIG FOOT" has numerous locations "etched" into the metal.

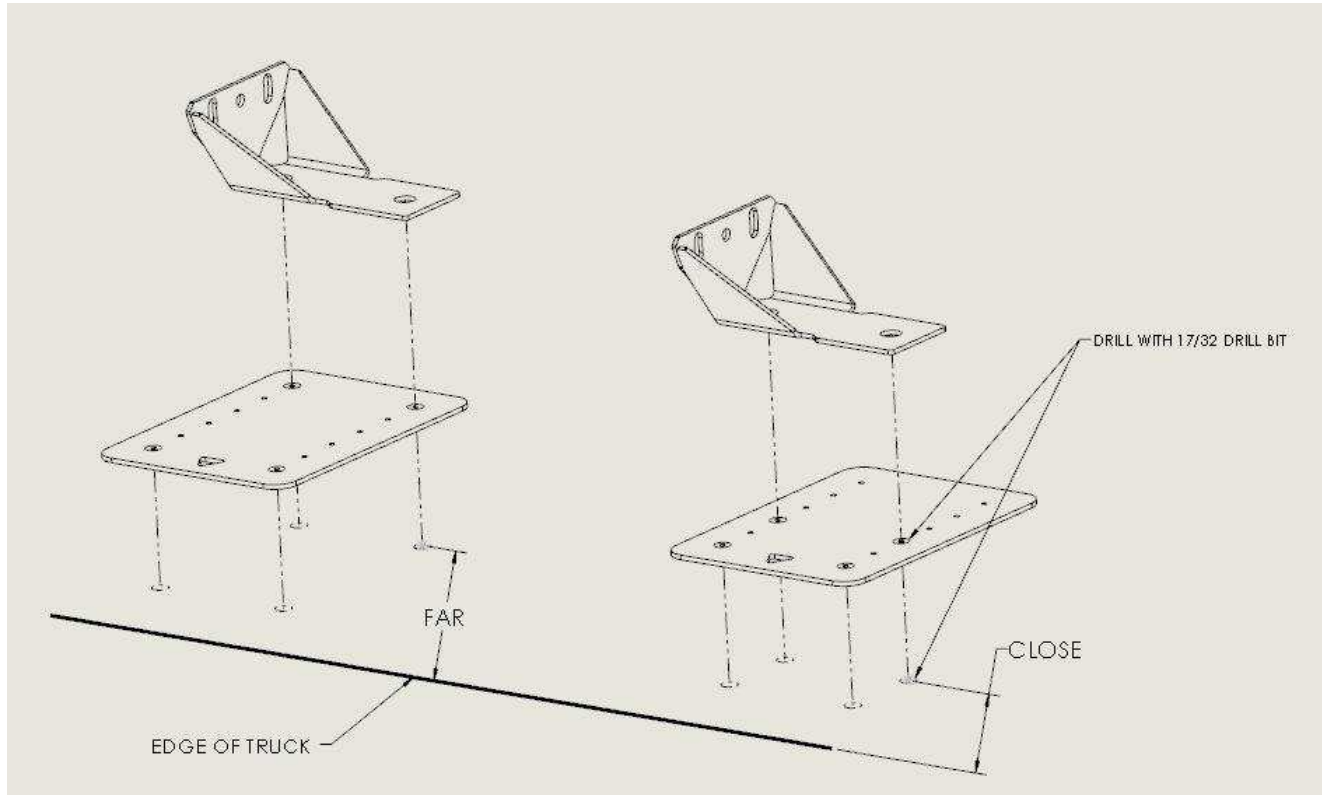
These are at the specific spacing of the original "FEET" that you have already installed to the roof.





Installation Guidelines Soft Roof Kit RR01

Based on how far from the edge your current “FEET” locations are, is how you determine which etched locations need to be drilled and converted to the “mounting holes”



- **Decide which holes you are going to drill out.**
- **Drill holes starting with pilot up to 17/32” (9/16” if you do not have the provided drill bit from the original rack installation).**
- **Clean off any “burrs” and spray paint to protect exposed hole from rust.**
- **Now add the supplied foam to protect the bottom of the “BIG**





Installation Guidelines

Soft Roof Kit

RR01

- FOOT". Cut out the holes.
- **DO THE FOLLOWING ROOF MARKING PROCESS 1 CORNER AT A TIME.**
 - **Loosen the 1/4"-20 hardware from the "FOOT" to the "RACK" just enough so it is not creating resistance.**
 - **Remove the 3/8" hardware that is mounting the "FOOT" to the ROOF.**
 - **Lift the rack enough to slide the "BIG FOOT" plate underneath and line up the holes. You can put the bolts back in if you are not certain that they will stay lined up.**
 - **Mark and center punch the ROOF for the new hole locations for the "BIG FOOT".**
 - **Remove the "BIG FOOT".**
 - **Snug the bolts back up from the "FOOT" to the ROOF.**
 - **Complete this process for all 4 corners.**
 - **Now remove the entire Rack. It is time to drill the roof.**
 - **Drill pilot hole.**
 - **Use precise listed bits: 1/8", 1/4" 17/32" (if unavailable, a 9/16" bit can be used – take extra care as you are then already "oversized"**





Installation Guidelines

Soft Roof Kit

RR01

- for the crush nuts).
- Vacuum away shavings.
 - Carefully crush nuts. There are 2 primary goals here: 1. Keep the nut flat to the surface at all times. 2. Do not over crush. When it “stops”, it is done.
 - Put rack on vehicle.
 - Put “BIG FEET” plates under the “FEET”.
 - Put all 3/8” hardware in by hand. Through the “FOOT” through the “BIG FOOT” plate, then into the ROOF. On the outside, through the “BIG FOOT” plate right into the ROOF.
 - Tighten “FEET” and “BIG FOOT” plate to roof. These 16 bolts are the most important in the entire installation. They should spin **ALL THE WAY DOWN BY HAND!** Make sure they are not getting pressure from the “FEET” or the rack, or anything else. These stainless 3/8” bolts should have the rubber washer followed by a stainless washer. Tighten until the rubber washer is squished to just outside of the washer and the bolt is snug.
 - Tighten feet to rack.
 - Installation complete!





Installation Guidelines

Soft Roof Kit

RR01

Fab Fours has zero liability to any damage incurred from the installation and or use of this rack. Not all vehicle roofs are created equal, and there is a large amount of judgment involved in deciding to install the rack and where it goes.





Installation Guidelines

Soft Roof Kit

RR01

TROUBLE SHOOTING:

1. When I drilled my pilot hole, the bit then encountered another layer
 - a. Drill through that layer as well with all bit sizes.
 - b. If you are unfortunate and landed on a second layer that is sloping or on an angle (not parallel to the roof), then you have your work cut out for you. **TAKE YOUR TIME.** You still have to drill the second layer with all sizes of bits. The challenge is that the bit can try to “walk” down the second layer that will then elongate your roof hole. You must fight that keep the bit centered to try and protect the round hole in the roof.

2. When drilling I damaged _____ (Insert thing you damaged).
 - a. We can unfortunately be of no assistance, and hold no liability. We do not even know what vehicle you own, or anything about it. This is a universal mount, and choosing “FEET” location is a best judgment call. If you really hit a





Installation Guidelines

Soft Roof Kit

RR01

mess, consider having that location repaired and shifting the rack to drill elsewhere.

Contact Information

Fab Fours Inc.
1312 Camp Creek Rd
Lancaster, SC 29720

Phone (866)-385-1905
Fax (866)-574-1424
Email Support@fabfours.com



More than expected... Better than expected.

