



Installation Instructions

Off the Door JK Tire Carrier

Product Number: Y1261T

07-Current Jeep JK with the Fab Fours JK Rear Replacement Bumper

SAFETY

Your safety and the safety of others is very important.

- In order to help you make informed decisions about safety, we have provided installation instructions and other information.
- These instructions alert you to potential hazards that could hurt you or others.
- Please do a job safety analysis (JSA) before each task to identify potential hazards for your situation and remove/protect against them.
- You must use your own good judgment, and take your time.

Read and understand all safety precautions and instructions before installing this product.

THIS PRODUCT IS FOR OFFROAD USE ONLY. ALL LIABILITY FOR INSTALLATION AND USE RESTS WITH THE OWNER.

CARELESS INSTALLATION AND OPERATION CAN RESULT IN SERIOUS INJURY OR EQUIPMENT DAMAGE.

Injury hazard

Failure to observe these instructions could lead to severe injury or death.

- Always** remove jewelry and wear eye protection.
- Always** use extreme caution when jacking up a vehicle for work. Set emergency brake and use tire blocks. Locate and use the vehicle manufacturers designated lifting points. Use jack stands.
- Always** use appropriate and adequate care in lifting components into place.
- Always** insure components will remain secure during installation and operation.
- Always** wear safety glasses when installing this kit. A drilling operation will cause flying metal chips. Flying chips can cause serious eye injury.
- Always** use extreme caution when drilling on a vehicle. Thoroughly inspect the area to be drilled (on both sides of material) prior to drilling, and relocate any objects that may be damaged.
- Always** use extreme caution when cutting and trimming during fitting.
- Always** tighten all nuts and bolts securely per installation instructions.
- Always** route electrical cables carefully. Avoid moving parts, components that become hot and rough or sharp edges.
- Always** insulate and protect all exposed wiring and electrical terminals.
- Always** perform regular inspections and maintenance on mounts and related hardware.





Installation Instructions

Off the Door JK Tire Carrier

Product Number: Y1261T

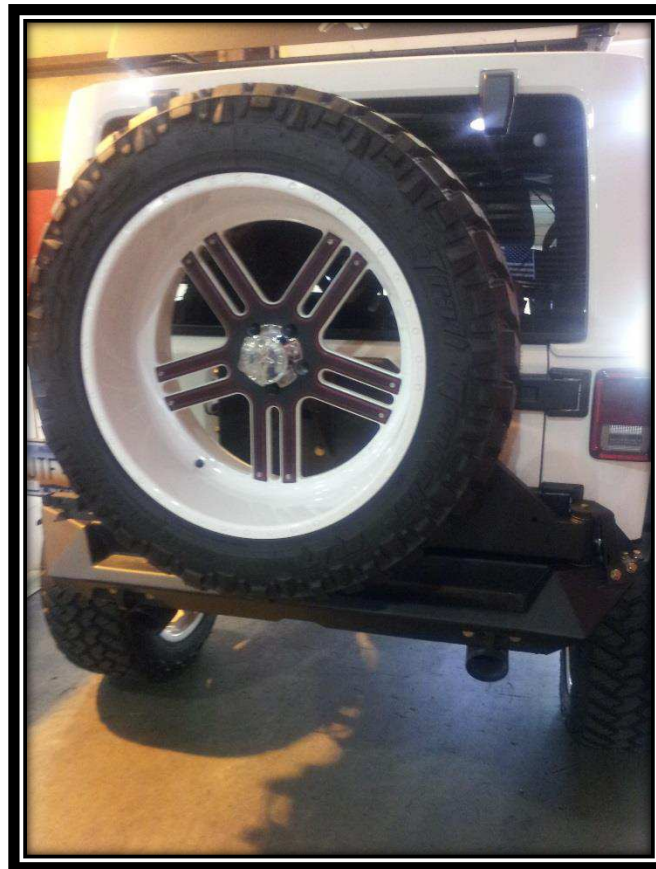
07-Current Jeep JK with the Fab Fours JK Rear Replacement Bumper

I. Overview

Congratulations on your new purchase of the industries' best and most stylish Jeep JK Rear Tire Carrier to go with your Fab Fours Rear Base Bumper purchase! This Tire Carrier has been engineered for strength while keeping the weight down.

Your tire carrier was designed in 3-D from digitized data, CNC laser cut, fabricated, and powder coated... all in the U.S.A. Enjoy the fit and finish of a quality Jeep Tire Carrier from Fab Fours, Inc.

WARNING: This product was designed to be used with the Fab Fours JK replacement bumper **ONLY**. **Do not attempt to mount this to any other stock or aftermarket bumper.**





Installation Instructions

Off the Door JK Tire Carrier

Product Number: Y1261T

07-Current Jeep JK with the Fab Fours JK Rear Replacement Bumper

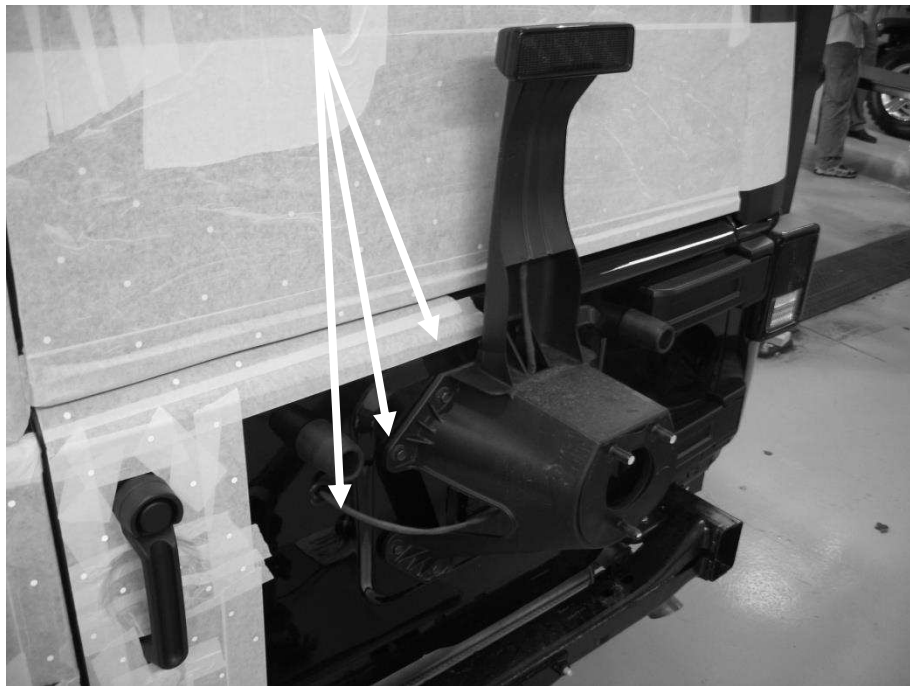
II. Tools Required

- 13mm, 9/16," 5/8," 11/16," 3/4" Wrenches and sockets
- Socket wrench and short extension
- Channel-lock pliers

III. Vehicle Preparation

A. Cut wires to the 3rd brake light leaving enough excess wire for future connections. Tape over the ends of the wires to not allow shorting. Seal vehicle side of the wire harness and secure.

B. Remove the bolts holding the OEM spare tire carrier to rear gate. Support tire carrier such that it does not fall when bolts are removed.





Installation Instructions

Off the Door JK Tire Carrier

Product Number: Y1261T

07-Current Jeep JK with the Fab Fours JK Rear Replacement Bumper

IV. Tire Carrier Installation

A. Attach replacement door plate and rubber stops using a 13mm socket and the 8 provided bolts/washers. Note that the bolts that pass through the rubber stops require the 4 provided spacers.



B. Install pivot shaft using a 9/16" socket or wrench and the provided 3/8" bolt and washer. Do NOT over tighten or use an impact.



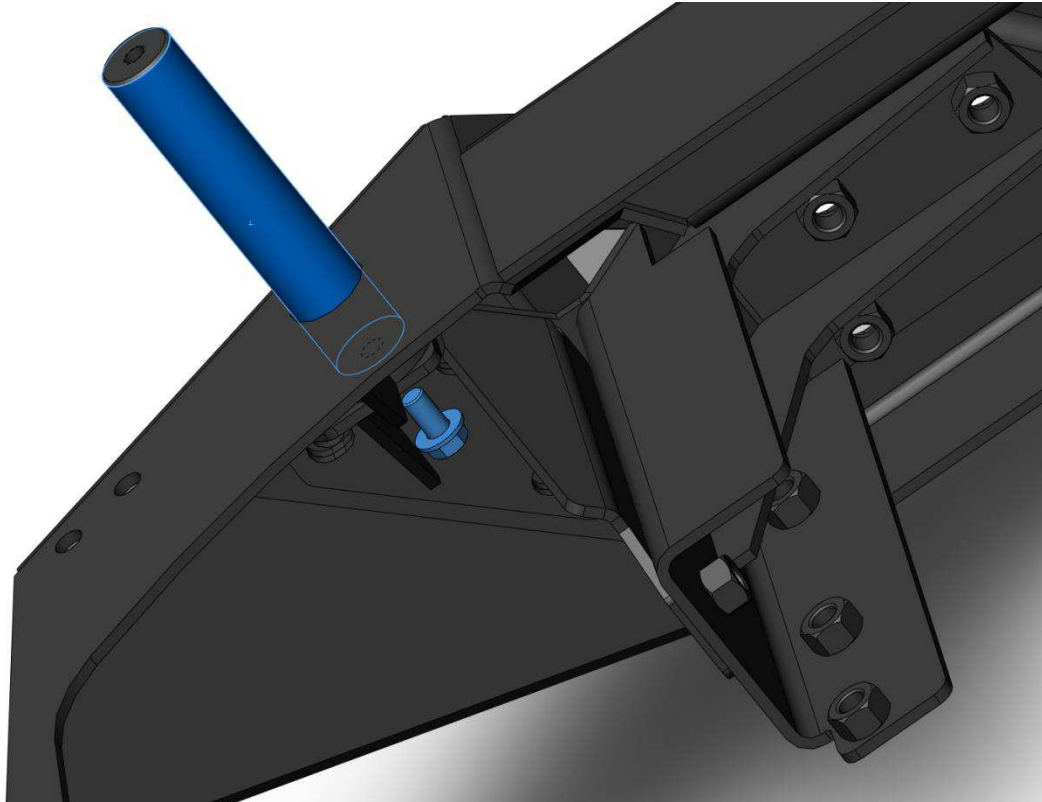


Installation Instructions

Off the Door JK Tire Carrier

Product Number: Y1261T

07-Current Jeep JK with the Fab Fours JK Rear Replacement Bumper





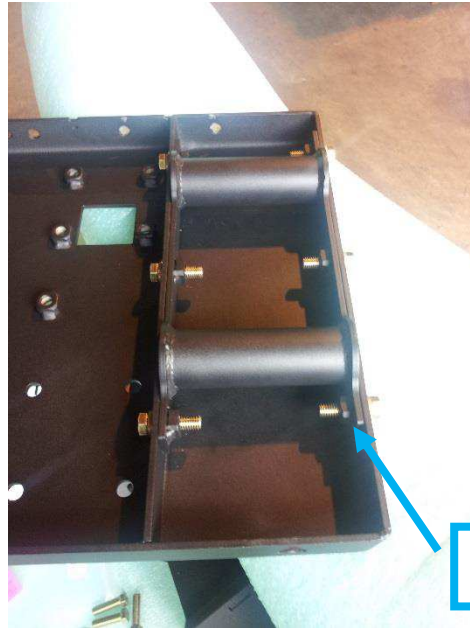
Installation Instructions

Off the Door JK Tire Carrier

Product Number: Y1261T

07-Current Jeep JK with the Fab Fours JK Rear Replacement Bumper

C. Loosely attach the tube assembly to the tire carrier using a 5/8 wrench or socket. This will be adjusted after full assembly.



Tube Assembly

D. Install plunger pin onto tire carrier using channel lock pliers.





Installation Instructions

Off the Door JK Tire Carrier

Product Number: Y1261T

07-Current Jeep JK with the Fab Fours JK Rear Replacement Bumper

E. Install one of the Thrust Washers onto the shaft with the greased perforated side facing down onto the bumpers top face. Then slide the Tire Carrier Assembly gently onto the shaft to prevent damage to the bearings. Next place the remaining Thrust Washer on the top of the Pivot Housing with the greased perforated side facing up.



THRUST WASHER
LOCATIONS





Installation Instructions

Off the Door JK Tire Carrier

Product Number: Y1261T

07-Current Jeep JK with the Fab Fours JK Rear Replacement Bumper

F. Position the Tire Carrier Pivot Upper Bracket over the remaining portion of the Pivot Shaft inserting the last remaining 3/8"-24 Bolt and washer through the top of the mount and into the shaft. Position the bracket to allow the four 7/16-14x1" bolts and washers to be inserted through the bracket and into the bumper as shown below. Use a 9/16" socket for the 3/8" bolt and a 5/8" socket for the 7/16" bolts.





Installation Instructions

Off the Door JK Tire Carrier

Product Number: Y1261T

07-Current Jeep JK with the Fab Fours JK Rear Replacement Bumper

G. Using the supplied 7/16" hardware attach the tire mount to the tire carrier with a 5/8 wrench or a 5/8 socket with a universal joint.





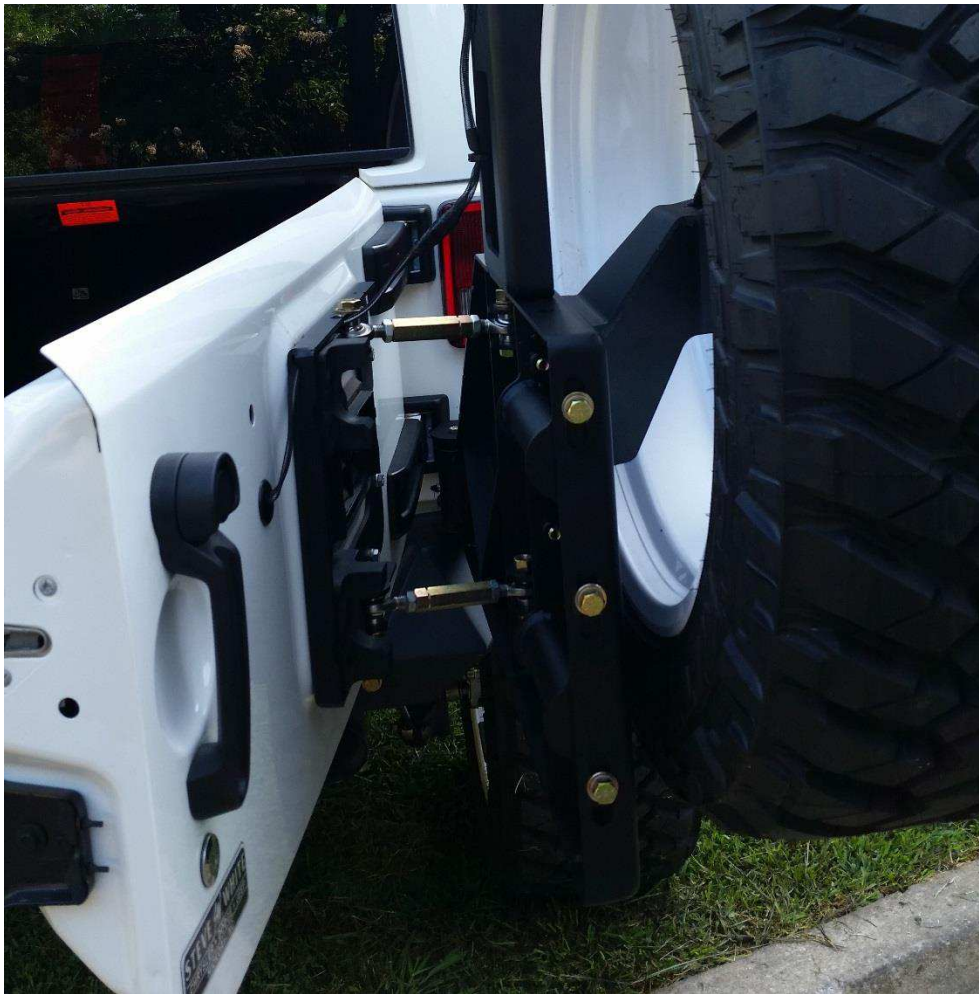
Installation Instructions

Off the Door JK Tire Carrier

Product Number: Y1261T

07-Current Jeep JK with the Fab Fours JK Rear Replacement Bumper

H. Attach the two turnbuckles to both the door plate and the tire carrier using the provided $\frac{1}{2}$ " hardware and a $\frac{3}{4}$ " wrench and socket.





Installation Instructions

Off the Door JK Tire Carrier

Product Number: Y1261T

07-Current Jeep JK with the Fab Fours JK Rear Replacement Bumper

I. Install your spare tire on the tire carrier.

J. With the added weight of the tire in place, adjust the tube assembly up or down so that it goes smoothly into place on the rubber stops on the back of the door.

K. Adjust the turnbuckle (lengthen or shorten) so that the door is held firmly in place when the door is closed. As a good guide, there should be enough pressure to open the door 2-3" when the handle is pressed and the pressure is released.





Installation Instructions

Off the Door JK Tire Carrier

Product Number: Y1261T

07-Current Jeep JK with the Fab Fours JK Rear Replacement Bumper

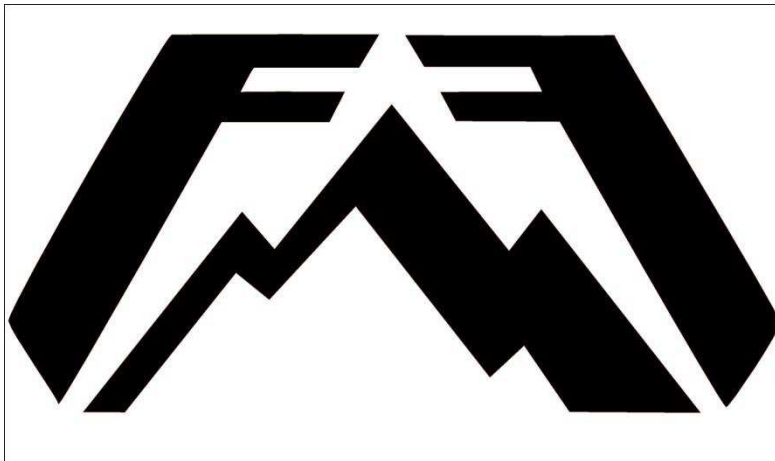
Maintenance/Care

- Periodically check and tighten all nuts.
- Stripped, fractured, or bent bolts or nuts need to be replaced.
- Periodically grease the tire carrier pivot.
- Periodically check the tension of the latch hook..

V. Contact Information

Fab Fours Inc.
1312 Camp Creek Rd.
Lancaster, SC 29720

Phone (866)-385-1905
Fax (970)-385-1914
Email Support@fabfours.com



More than expected...

Better than expected

