

FLOWMASTER™

THE EXHAUST TECHNOLOGY COMPANY™

Congratulations on your purchase of a new Flowmaster™ *universal H-pipe kit.*

2¼" kit #15919

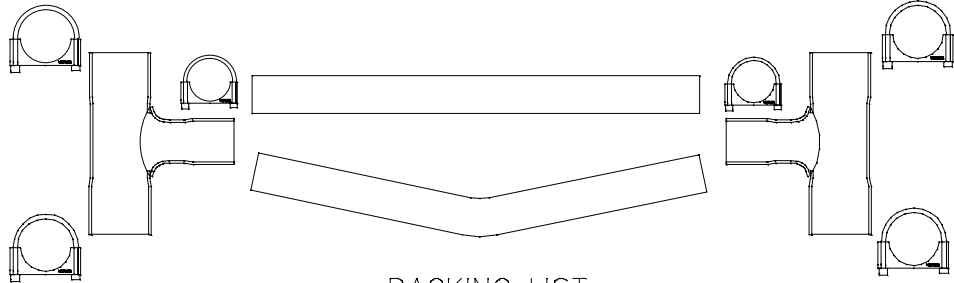
2½" kit #15920

3" kit #15921

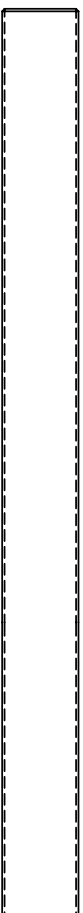
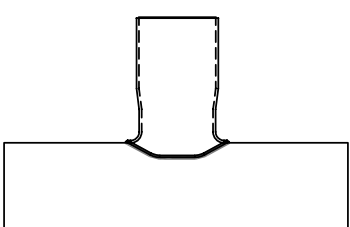
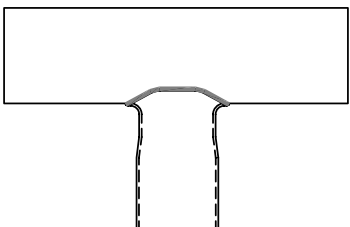
We here at Flowmaster™ take pride in being *The Exhaust Technology Company™*, where our mission is to provide the most technologically advanced, highest quality exhaust products in the world.

The following are some helpful tips when installing your system:

For installation into an existing system, look at the system and locate a section of tubing with enough straight area and also enough clearance to allow you to cut 7.50" out of both exhaust pipes, this will allow you to slide the welded H-pipe onto one side of the cut out section and then slide it back to fill the gap. Also, before welding or clamping the T-connector into place, you will need to measure and possibly trim either the straight or the bent crossover for installation into the side assembly slip-fits. Be sure when installing the H-pipe that the entire assembly has enough clearance to prevent any damage to the vehicle, a minimum of ¾" is recommended.

		
PACKING LIST		
<p style="text-align: center;">15919</p> <p>(2) 268TB T-CONNECTER (1) TB299 CROSSOVER-STRAIGHT (1) TB16090 CROSSOVER-BENT (1) PK919 PARTS KIT (2) MC200S 2" CLAMPS (4) MC214S 2-1/4" CLAMPS</p>	<p style="text-align: center;">15920</p> <p>(2) 267TB T-CONNECTER (1) TB299 CROSSOVER-STRAIGHT (1) TB16090 CROSSOVER-BENT (1) PK920 PARTS KIT (2) MC200S 2" CLAMPS (4) MC250S 2-1/2" CLAMPS</p>	<p style="text-align: center;">15921</p> <p>(2) 269TB T-CONNECTER (1) TB306 CROSSOVER-STRAIGHT (1) TB16162 CROSSOVER-BENT (1) PK921 PARTS KIT (2) MC250S 2-1/2" CLAMPS (4) MC300G 3" CLAMPS</p>

UNIVERSAL H-PIPE KITS



PACKING LIST

2-1/4" KIT # 15919

- (2) 268TB T-CONECTOR
- (1) TB299 CROSSOVER-STRAIGHT
- (1) TB16090 CROSSOVER-BENT
- (1) PK919 PARTS KIT
- (2) MC200S 2"CLAMPS
- (4) MC214S 2-1/4"CLAMPS

2-1/2" KIT # 15920

- (2) 267TB T-CONECTOR
- (1) TB299 CROSSOVER-STRAIGHT
- (1) TB16090 CROSSOVER-BENT
- (1) PK920 PARTS KIT
- (2) MC200S 2"CLAMPS
- (4) MC250S 2-1/2"CLAMPS

3" KIT # 15921

- (2) 269TB T-CONECTOR
- (1) TB306 CROSSOVER-STRAIGHT
- (1) TB16162 CROSSOVER-BENT
- (1) PK921 PARTS KIT
- (2) MC250S 2-1/2"CLAMPS
- (4) MC300G 3"CLAMPS