



Universal Drop-In Fuel Cell Pump Hangers

P/Ns 12-139, 12-140, 12-141, 12-142, 12-143, 12-144, 12-145, 12-146, 12-147, 12-148, 12-149, & 12-155

NOTE: Please read all instructions before proceeding with the installation of your new drop in fuel cell pump hanger. Failure to follow these instructions may result in poor performance, vehicle damage, personal injury, or death. If these instructions are not fully understood an installation should not be attempted. In this case please contact Holley's tech service department or a qualified mechanic.

Parts Included:	
Qty.	Description
1	Fuel Pump Hanger Assembly
1	Gasket
1	Mounting Ring
6 - 12	Mounting Screws
6 - 12	Plastic Washers
2	Zip Ties
1	Fuel Pump Sock

Tools Needed:
3/16 Hex Wrench
4mm Hex Wrench
Tape Measure
3/16 Drill Bit
1/4" Wrench

Tools Possibly Needed:
Metal Cutting Hole Saw
Vise
Pliers
1/4 inch Drill Bit

Parts Required for Installation:

- Post Pump Filter: Holley HP billet filter or equivalent. EFI systems should have a 10 micron or finer filter while carburetors should have a 40 micron or finer filter.
- Relay Kit (30amp min) – **Holley P/N 12-753** or equivalent
 - Additional wire and connectors may be necessary
- Fuel Hose and Fittings
 - NOTE: These pump assemblies are not designed to use a standard conical seat style union for the fuel out of fuel return. Using this type of fitting will restrict flow and will lead to poor performance and potential pump failure. The only correct fitting to use is a contoured port fitting with an O-ring seal such as **EARL'S #AT985010ERL for the fuel out and #AT985008ERL for the fuel return.**



Installing the Pump Hanger:

If your tank has a 6, 10 or 12 bolt flange pre-drilled into it, then follow these instructions:



Figure 1: Gasket being used as template to mark drilling locations

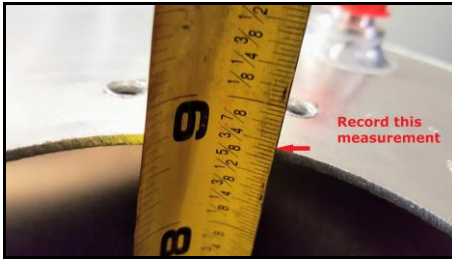


Figure 2: Measurement described in step 4.

1. Use the gasket as a template to ensure that the mounting hole pattern is the same on the gasket as it is on the tank and that the center hole is the same diameter as the gasket. If either the mounting hole pattern or the center hole pre drilled in the tank does not match the gasket, then modify them so that they do.

NOTE: If the fuel cell has foam in it, the foam should be removed before any drilling or tank modification takes place. After modification has been completed, the tank should be thoroughly cleaned.

2. Again using the gasket as a template align the mounting holes and using a marker make a mark at the closed end of the two slots that extend from the center hole. **See Figure 1.**
3. Using a drill and a 3/16" drill bit drill two holes at the two marks you just made, these will be used later.
4. Using a tape measure, take a measurement through the center hole where the pump hanger assembly will be inserted to the mounting surface where the pump hanger flange will contact the tank. Record that measurement. **See Figure 2.**
5. Install the supplied fuel pump sock onto the pump by aligning it with the pump and the locating stud then pressing firmly to seat.

6. Take a measurement from the pump hanger flange to the top of the filter sock. If this measurement is longer than the measurement that was taken in step 4 then lower the pump until the two measurements are the same. If this measurement is shorter than the measurement taken in step 4 then raise the pump. **See Figure 3.**

- a. To raise or lower the pump use a 4mm hex wrench to loosen the two screws used to clamp the pump mount onto the two stainless steel guide rods.
- b. If the filter sock comes in contact with the guide rods but you still need the pump to go lower in order to have your two measurements match then the guide rods must be removed and broken at the break point that is milled into them.
 - i. Remove the guide rods from the pump flange.
 1. Loosen the two 4mm screws that retain the pump mount to the guide rods and slide the pump mount and pump assembly off of the rods.
 2. Using a 1/4" wrench or an adjustable wrench loosen the guide rods from the pump flange via the two flats at the base of the rods
 3. Place the short end of the rods in a vice and then grab the long end and push/pull the rods should break at the milled break point. **Shown in Figure 3.**
 - a. If it is difficult to break the rods then it may be necessary to get some extra leverage on the rods.
 - ii. Rebuild the pump assembly in the reverse order that it was taken apart and then continue matching the two measurements.
 1. Note: in certain cases it may be necessary to cut down the guide rods further

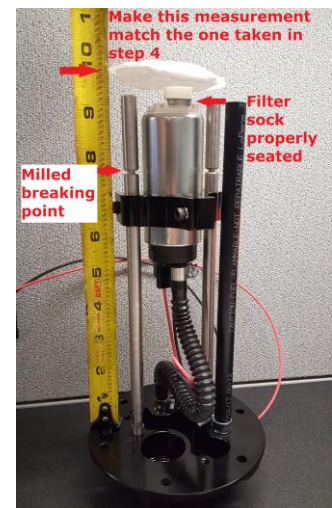


Figure 3: Example pump hanger assembly showing the measurement to be taken in step 6

7. Cut the return tube 1 inch shorter than the measurement taken in step 4 and then insert onto the return barb and fasten with the included hose clamp
8. Take the included mounting ring and insert it into the fuel tank via the slot in the part. Then using the included zip ties zip tie the mounting ring to the inside of the tank via the two small holes that were drilled in step 3. **See Figure 4.**

Line up the gasket with the mounting holes and zip tie slots and then insert the fuel pump hanger assembly into the tank and fasten with the included mounting hardware using the plastic washers as gaskets for the mounting screws.

If your Fuel Cell does not have a 6, 10 or 12 bolt flange drilled into it then follow the following instructions:

1. Determine the best place on the fuel cell surface to drill the center hole where the fuel pump hanger assembly will sit.



Figure 4: Mounting ring zip tie Locations

- a. 6 bolt flange units should use a 3 7/8" hole saw.
b. 10 bolt flange units should use a 3 1/2" hole saw.
c. 12 bolt units should use a 4 1/2" hole saw
2. In determining where to drill the fuel cell consider
 - a. Finding a flat surface, in a central location.
 - b. Where the chassis frame rails contact the fuel tank.
 - c. Evaluating the position and path of the fuel level sender float – we recommend removing the existing unit to determine the float arm path and direction before cutting the new mount hole.
 - d. Locating any internal vent line routing
 - e. Avoiding any internal fuel bowls or baffles.
 - f. The best positioning possible for the supply, return hoses, wire harness, and vapor vent hose.
3. Once a determination has been made on where to drill, use the appropriate hole saw and drill the center hole in the cell. Make sure to deburr the inside and outside edges of the hole after drilling.
4. Using the supplied gasket as a template make marks at the center of all of the mounting holes as well as at the center of the closed ends of the slots that extend from the center hole. **See Figure 1**
5. Drill the mounting holes with a 1/4" drill bit and the slotted marks with a 3/16" drill bit then verify that all of the holes line up with the gasket. **See Figure 1**
6. Using a tape measure, take a measurement through the center hole where the pump hanger assembly will be inserted to the mounting surface where the pump hanger flange will contact the tank. Record that measurement **See Figure 2**
7. Install the supplied fuel pump sock onto the pump by aligning it up with the pump and then pressing firmly to seat.
8. Take a measurement from the pump hanger flange to the top of the filter sock. If this measurement is longer than the measurement that was taken in step 6 then lower the pump until the two measurements are the same. If this measurement is shorter than the measurement taken in step 6 then raise the pump. **See Figure 3**
 - a. To raise or lower the pump use a 4mm hex wrench to loosen the two screws used to clamp the pump mount onto the two stainless steel guide rods.
 - b. If the filter sock comes in contact with the guide rods, yet you still need the pump to go lower in order to have your two measurements match then the guide rods must be removed and broken at the break point that is milled into them.
 - i. Remove the guide rods from the pump flange.
 1. Loosen the two 4mm screws that retain the pump mount to the guide rods and slide the pump mount and pump assembly off of the rods.
 2. Using a 1/4" wrench or an adjustable wrench loosen the guide rods from the pump flange via the two flats at the base of the rods
 3. Place the short end of the rods in a vice and then grab the long end and push/pull the rods should break at the milled break point. **Shown in Figure 3**
 - a. If it is difficult to break the rods it may be necessary to get some extra leverage on the rods.

- ii. Rebuild the pump assembly in the reverse order that it was taken apart and then continue matching the two measurements.
 1. Note: in certain cases it may be necessary to cut down the guide rods further
9. Cut the return tube 1 inch shorter than the measurement taken in step 4 and then insert onto the return barb and fasten with the included hose clamp.
10. Take the included mounting ring and insert it into the fuel tank via the slot in the part. Then using the included zip ties zip tie the mounting ring to the inside of the tank via the two small holes that were drilled in step 3. **See Figure 4**
11. Line up the gasket with the mounting holes and zip tie slots and then insert the fuel pump hanger assembly into the tank and fasten with the included mounting hardware using the plastic washers as gaskets for the mounting screws.

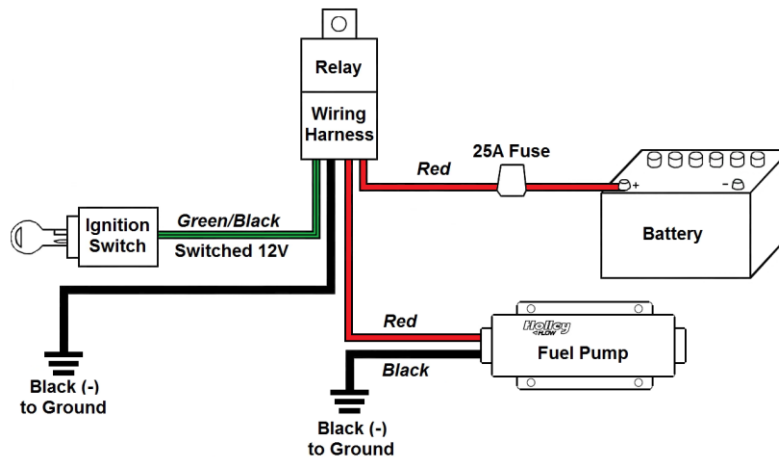
Wiring your Fuel Pumps:

WARNING! USE A MINIMUM OF 12 GAUGE WIRE. BE SURE TO CRIMP OR SOLDER ALL CONNECTORS SECURELY AND CLEAN ANY AREA WHERE GROUND LEADS WILL BE FASTENED. FAILURE TO USE THE MINIMUM WIRE GAUGE COULD RESULT IN PUMP MALFUNCTION AND/OR ELECTRICAL FIRE, RESULTING IN PROPERTY DAMAGE, SERIOUS INJURY, AND/OR DEATH.

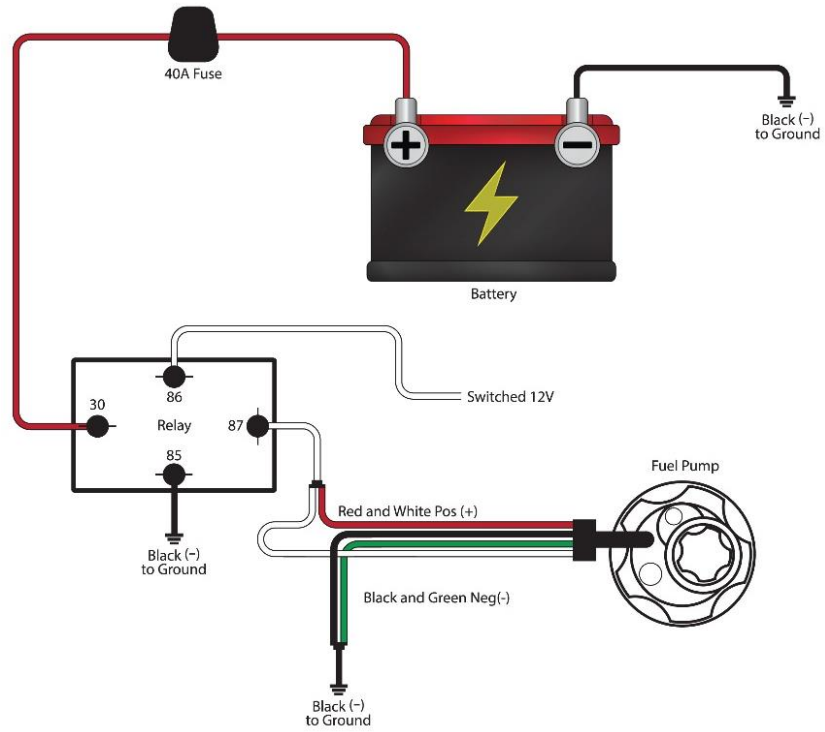
1. Disconnect the cables from the battery.
2. Mount relay/relays in convenient location away from exhaust heat.
3. Plug the fuel pump relay harness into the relay, until it locks into place.
4. Connect the black wire of the harness to ground.

NOTE: Be sure to route all electrical wires clear of any moving suspension or drivetrain components and any exhaust components! Protect wires from abrasion and road obstructions or debris.

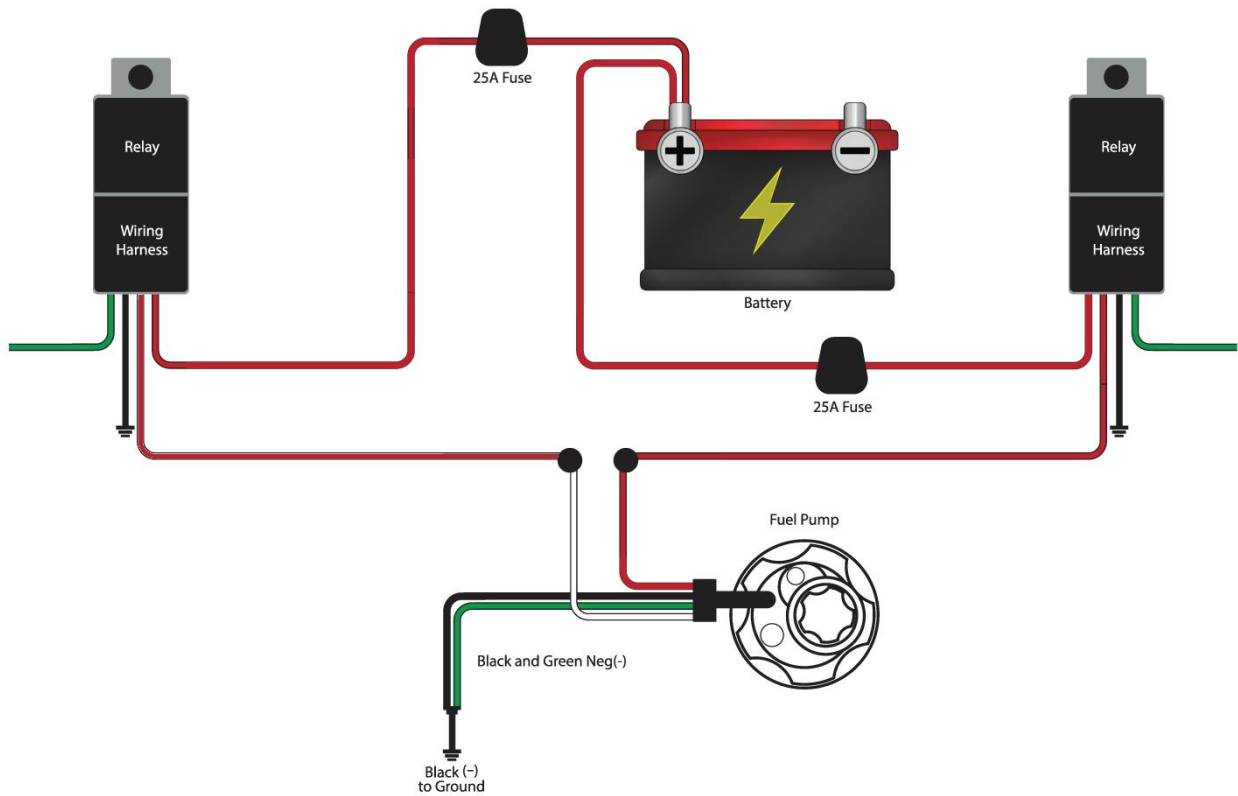
If you have a Single DC pump (255 or 450) follow these instructions:



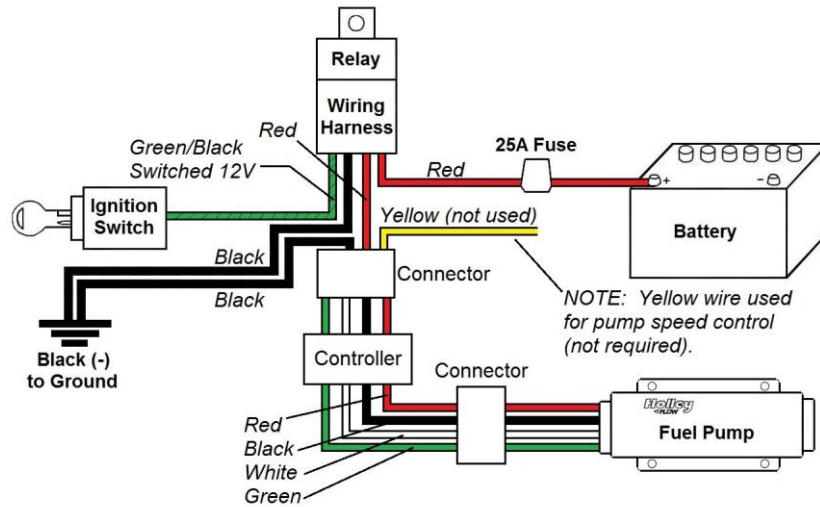
If you have Dual DC pumps and you want to wire both together:



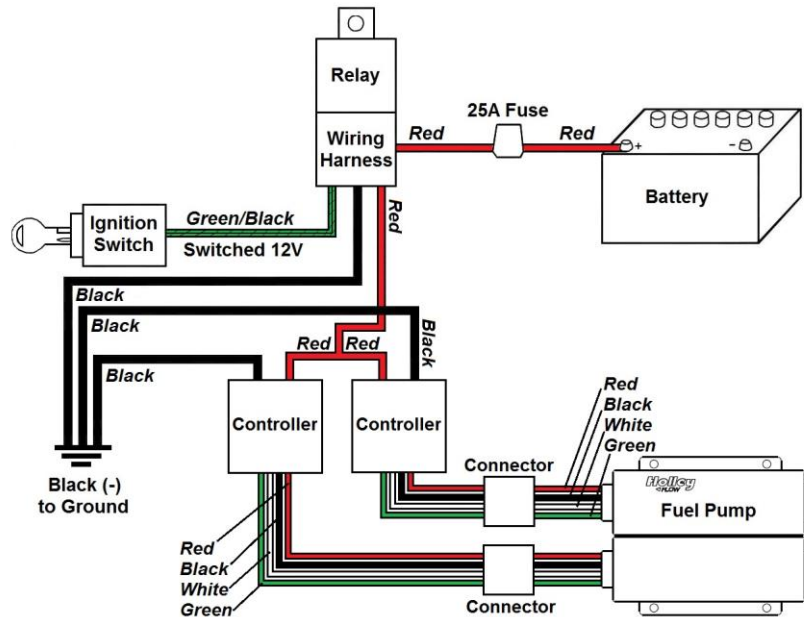
If you have Dual DC pumps and you want to wire each separately:



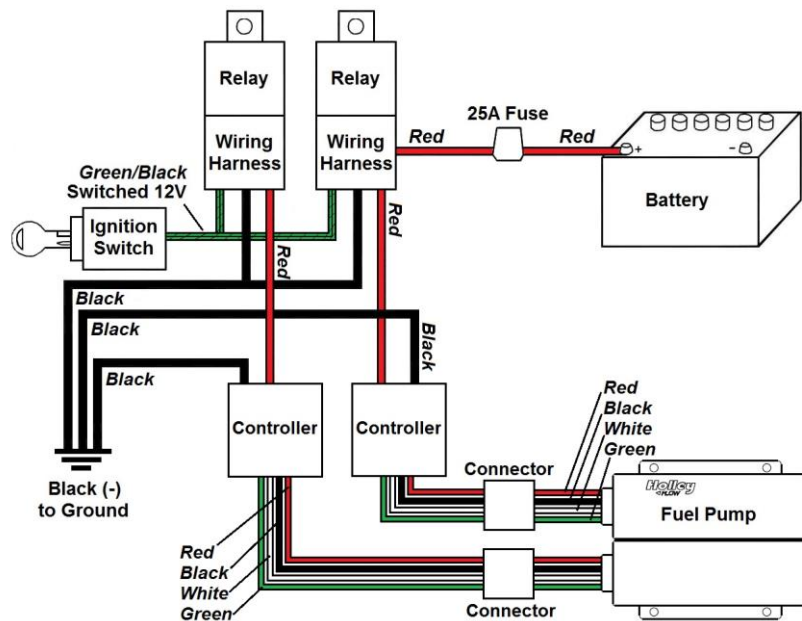
If you have a Single VR Pump:



If you have Dual VR Pumps and you want to wire both together:



If you have Dual VR Pumps and you want to wire each individually:



Holley BLDC (Brushless DC Controller) Introduction and Setup

Introduction: The Holley BLDC (Brushless DC Controller) is primarily designed to be used in conjunction with the Holley VR fuel pumps. The controller is designed to operate stand-alone or to be used as a slave device via a ground input.

Operation: The BLDC has three (3) inputs: (Red) power, (Black) ground, and (Yellow) signal. The signal wire controls how the BLDC controls the fuel pump.

100% Duty Cyclor Setup: The first configuration, which is the simplest mode, is the controller operates the fuel pump at 100% duty cycle based on a single binary input. (The yellow signal wire is not used). The schematics in above show this installation. These schematics will guide you for the controller installation with relays.

50% Duty Cyclor Setup: In a typical usage the controller would be in the 50% duty cycle mode (Yellow input signal wire to ground). This configuration would allow the user to control the fuel pump duty cycle from 50% to 100% via a grounding input. Any switch or triggering device can be installed in line between the yellow wire and ground. As long as it can provide a ground at low demand and remove that ground at high demand, it can operate the controller. This could be done by a toggle switch, TPS switch, any aftermarket EFI system, a nitrous controller, etc...

An example would be once the (TPS) throttle is depressed to a user set position the switch would disengage ("open") the ground signal and command the controller into a 100% duty cycle mode.

***Since there are many signal methods that can be used, please refer to the schematics of the particular switch or triggering system that you are using to verify the (yellow) signal wire connections.*

Setup In EFI Software:

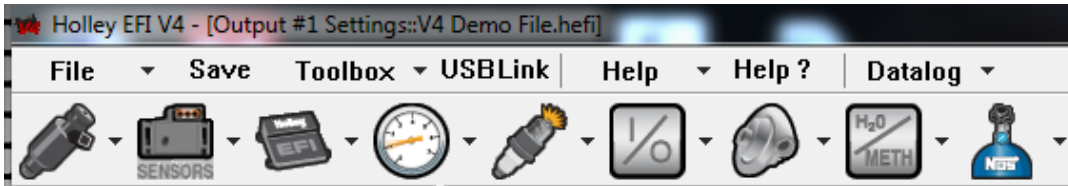
If using this pump in conjunction with the Holley EFI System, please refer to the following setup instructions:

The BLDC pump runs at 50% duty cycle when the (yellow) wire is grounded. Holley EFI software has logic built in that allows seamless, automatic speed control of the pump between 50% and 100%.

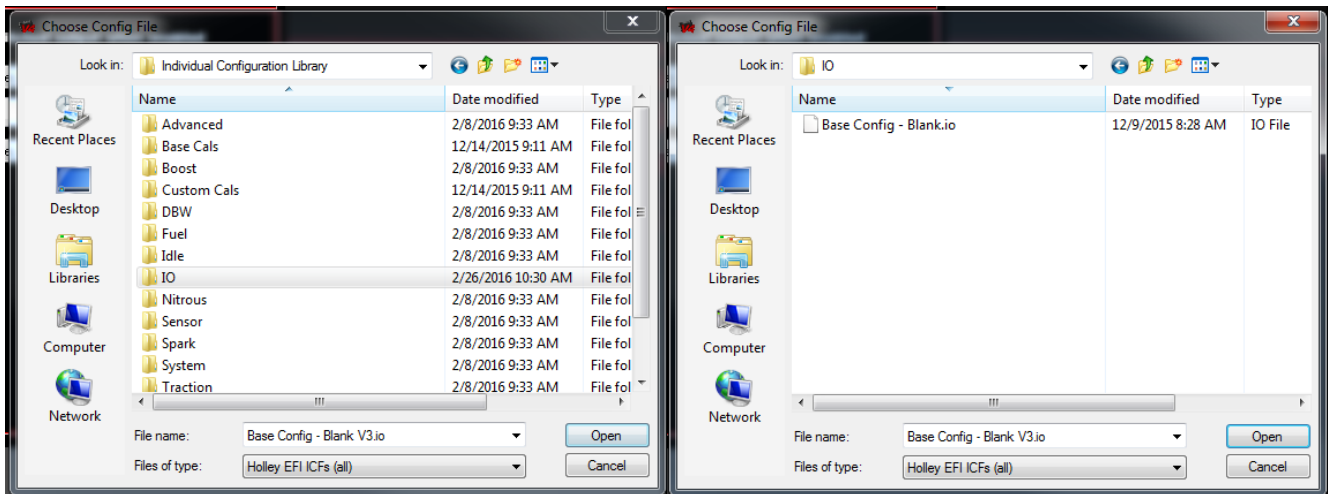
To set this up, create a new output in the I/O (inputs/outputs) ICF

NOTE: If your calibration does not have the I/O ICF, you can add it by following these steps:

1. Select Toolbox and choose “Add Individual Config” from the drop down menu.



2. Next, choose the “IO” folder and open “Base Config – Blank.io”



3. At this point, you should have an icon for custom inputs/outputs configuration:



4. Configure any available output (#1 in this example) and name it BLDC 50% DUTY as shown below, then select Configure



In this example configuration, the pump would run at 50% duty cycle when fuel flow is between 0 and 400 lb/hr. Above 400 lb/hr the ground output would be deactivated and the pump would run at 100%.

BLDC 50% DUTY Input Triggers Linked Outputs Timer

SWITCHED INPUT TRIGGERS

Number

AND

SENSOR INPUT TRIGGERS

Number

This output will activate when is

Enable Secondary Deactivation and deactivate at **Range Mode**

In this example configuration, the pump would run at 50% duty cycle when MAP is between 0 and 135 kPa (5 psi boost). Above 135 kPa the ground output would be deactivated and the pump would run at 100%.

BLDC 50% DUTY Input Triggers Linked Outputs Timer

SWITCHED INPUT TRIGGERS

Number

AND

SENSOR INPUT TRIGGERS

Number

This output will activate when is

Enable Secondary Deactivation and deactivate at **Range Mode**

In this more advanced example, the pump would run at 50% duty cycle as long as:

1. Nitrous is NOT enabled
- OR**
2. TPS is between 0 and 50%

BLDC 50% DUTY **Input Triggers** **Linked Outputs** **Timer**

SWITCHED INPUT TRIGGERS

Number 1

This output will activate when Nitrous Stage 1 is Disabled

OR

SENSOR INPUT TRIGGERS

Number 1

This output will activate when TPS is Above 0%

Enable Secondary Deactivation and deactivate at 50% Range Mode

In this example, the pump would run at 100% duty cycle as soon as a Water/Meth solenoid is turned on:

BLDC 50% DUTY **Input Triggers** **Linked Outputs** **Timer**

LINKED OUTPUTS

Number 1

This output will activate when W/M Solenoid #1 is Disabled

The same type of logic could be applied to operate the Dual BLDC pumps in the following configurations:

- Pump 1 at 50% -- Pump 2 off
- Pump 1 at 100% -- Pump 2 off
- Pump 1 at 100% -- Pump 2 at 50%
- Pump 1 at 100% -- Pump 2 at 100%

199R11434
Date: 11-29-17