



RHINO-RACK

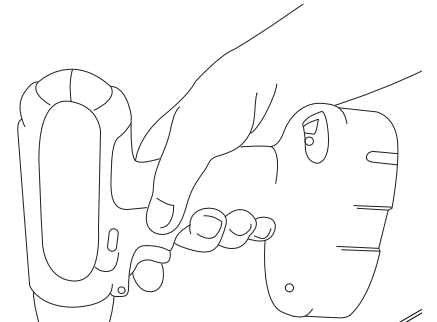
Rhino Nautic Kayak Loader HD Bar Kit NKL-FK1

Important: Please read these instructions carefully prior to installation. Please refer to your fitting instruction to ensure that the roof racks are installed in the correct locations. Check the contents of kit before commencing fitment and report any discrepancies. Place these instructions in the vehicle's glove box after installation is complete.

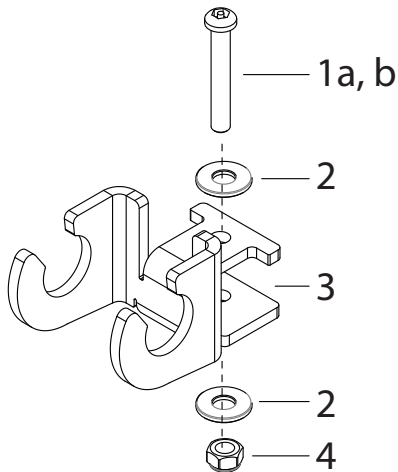
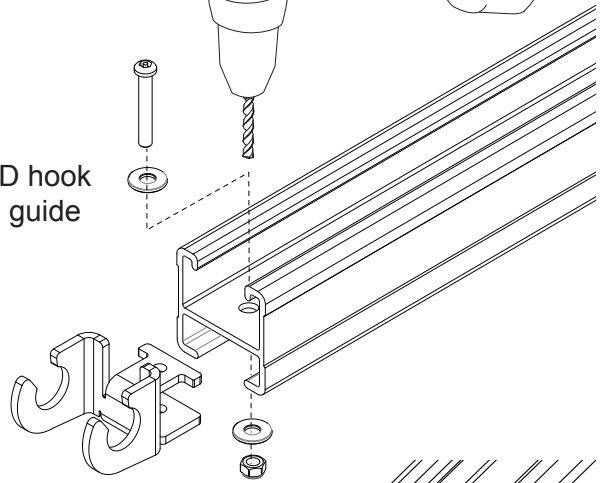
Parts List

1a	M6 x 35mm Security Screw	2	B092
1b	M6 x 55mm Security Screw	8	B138
2	M6 Flat Washer	4	W031
3	NKL HD Hook	2	CA1251
4	M6 Nyloc Nut	2	N013
5	Fitting Instruction	1	R381

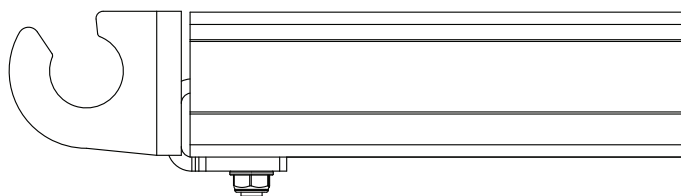
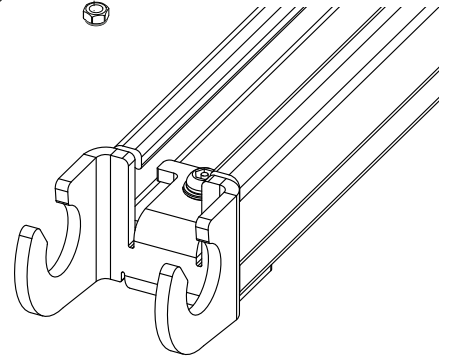
Note: M6 x 55 to replace the M6 x 40 currently in RMPHU



Use NKL HD hook as a drilling guide



Secure hardware to 3-4Nm



Secondary Parts List

1a	M6 x 40mm Security Bolt	2	B085
1b	M6 x 23 Security Bolt	2	B132
2	M6 Spring Washer	4	W004
3	M6 Flat Washer	4	W031
4	M6 Channel Nut	4	N002

Note:

This hardware will be used to replace parts provided in the main NKL kit for HD Bar fitments.

1b, 2, 3 and 4 will replace 17, 18, 19 and 20.

1a, 2, 3 and 4 will replace 30, 31, 32 and 33.

Note for Dealers and Fitters:

It is your responsibility to ensure these fitting instructions are given to the end user or client.

Rhino-Rack
3 Pike Street, Rydalmere,
NSW 2116, Australia.
(Ph) (02) 9638 4744
(Fax) (02) 9638 4822

Document No: R381
Prepared By: Andy Wana
Authorised By: Chris Murty

Issue No: 04
Issue Date: 25/06/2014

These instructions remain the property of Rhino-Rack Australia Pty Ltd and may not be used or changed for any other purpose than intended.