



RHINO-RACK

Aerodynamic & Heavy Duty Roof Rack Systems

64700 RHINO Claw Bike Holder

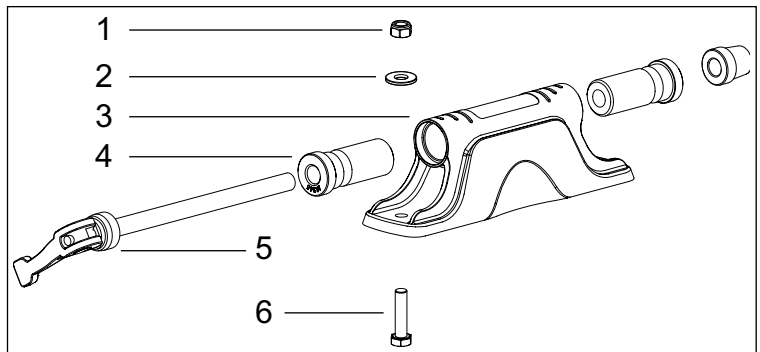
Place these instructions in the vehicle's glove box after installation is complete.

Important: Please read these instructions carefully prior to installation. Please refer to your fitting instruction to ensure that the roof racks are installed in the correct locations. Check the contents of kit before commencing fitment and report any discrepancies

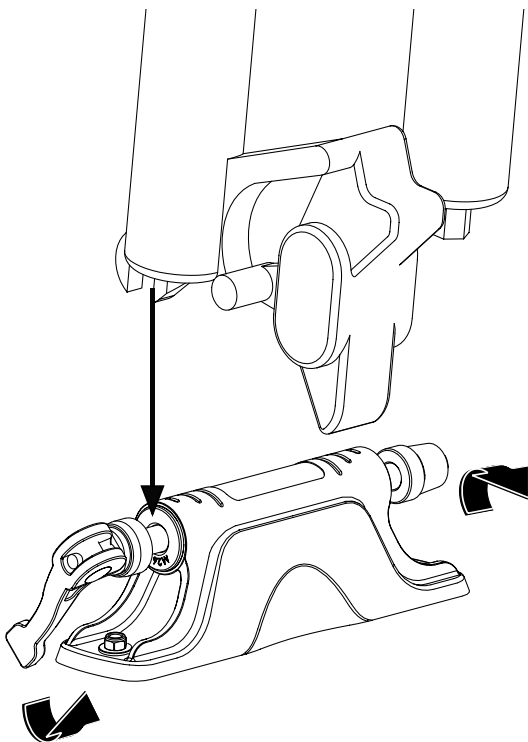
Maximum carrying capacity: 20kg

Parts List:

Item	Component Name	Qty	Part No.
1	M6 Nyloc Nut	2	N013
2	M6 x 16 Flat Washer	2	W031
3	Fork Clamp	1	M263
4	Plastic Bushes	2	M265
5	Bike Skewer	1	C113
6	M6 x 25 Hex set screw	2	B067
7	Fitting Instruction	1	RS-278



1 Mount the Bike Carrier to rigid surface. Loosen each end of the Skewer to a width that will accommodate the forks. Remove the front wheel of the bike. Place the forks over the Skewer shaft.



2 Trial flip the over centre lever up and down while tightening the skewer nut to get firm tension on the forks.

