



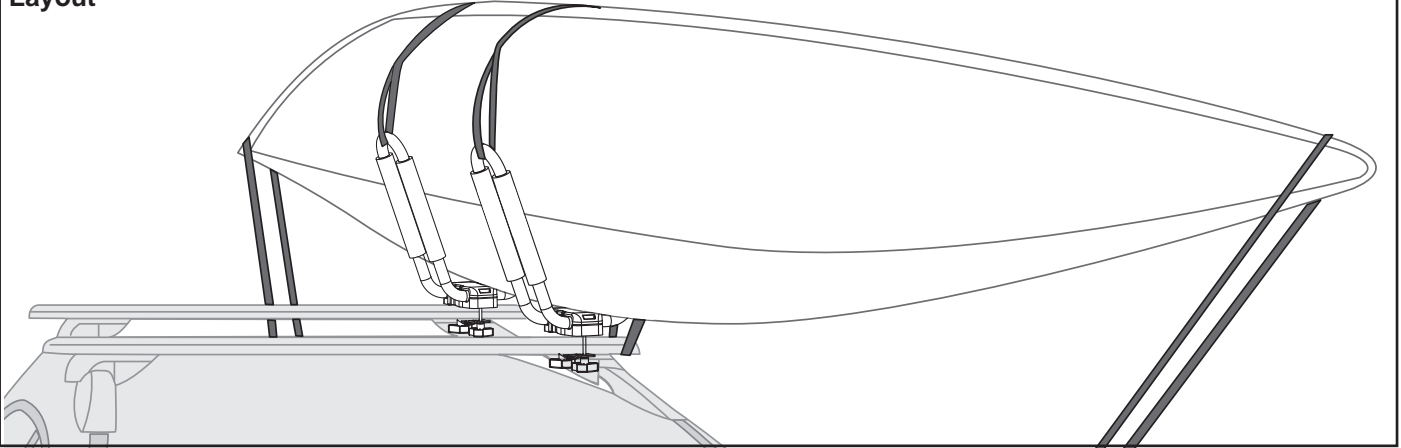
# RHINO-RACK

Aerodynamic & Heavy Duty Roof Rack Systems

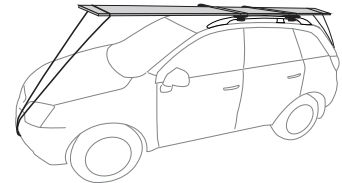
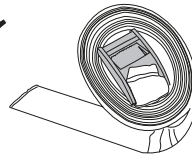
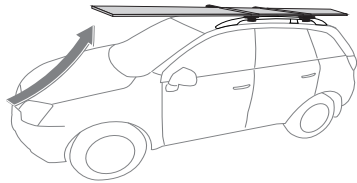
## Rhino-Rack Folding Kayak Carrier S510

**Important:** Please read these instructions carefully prior to installation. Please refer to your fitting instruction to ensure that the bike rack is installed in the correct locations. Check the contents of kit before commencing fitment and report any discrepancies. Place these instructions in the vehicle's glove box after installation is complete.

### Layout



### Important Information



#### Maximum carrying capacity: 25kg (55lbs)

Please refer to your vehicle manufacturers handbook for maximum carrying capacity of your roof racks. Always use the lower of the two figures. Load must be evenly distributed over the crossbars.

**Warning:** Do not attempt to fit the S510 to your vehicle unless you fully understand this fitting instructions. Please direct any questions regarding fitting to the dealer from where the S510 was purchased. **Use only non-stretch fastening ropes or straps.**

#### Recommendations:

It is essential that all bolt connections be checked after driving a short distance when you first install your roof racks and S510. Bolt connections should be checked again at regular intervals (once a week is enough, depending on road conditions, usage, loads and distances travelled). You should also check the roof racks and S510 each time they are re-fitted. Always make sure to fasten your load securely. Please also ensure that all loads are evenly distributed and that the centre of gravity is kept as low as possible. Long loads (e.g. canoes and kayaks) must be secured front and rear with non-stretch fastening ropes or straps.

**Roof racks must be removed when putting vehicle through an automatic car wash.**

**Caution:** The handling characteristics of the vehicle changes when you transport a load on the roof. For safety reasons we recommend you exercise extreme care when transporting wind-resistant loads. Special consideration must be taken into account when cornering and braking.

#### Note for Dealers and Fitters

It is your responsibility to ensure this fitting instruction is given to the end user or client

Rhino-Rack  
3 Pike Street, Rydalmere,  
NSW 2116, Australia.  
(Ph) (02) 9638 4744  
(Fax) (02) 9638 4822

Document No: R096  
Prepared By: Andy Wana  
Authorised By: Chris Murty

Issue No: 03  
Issue Date: 15/08/2011

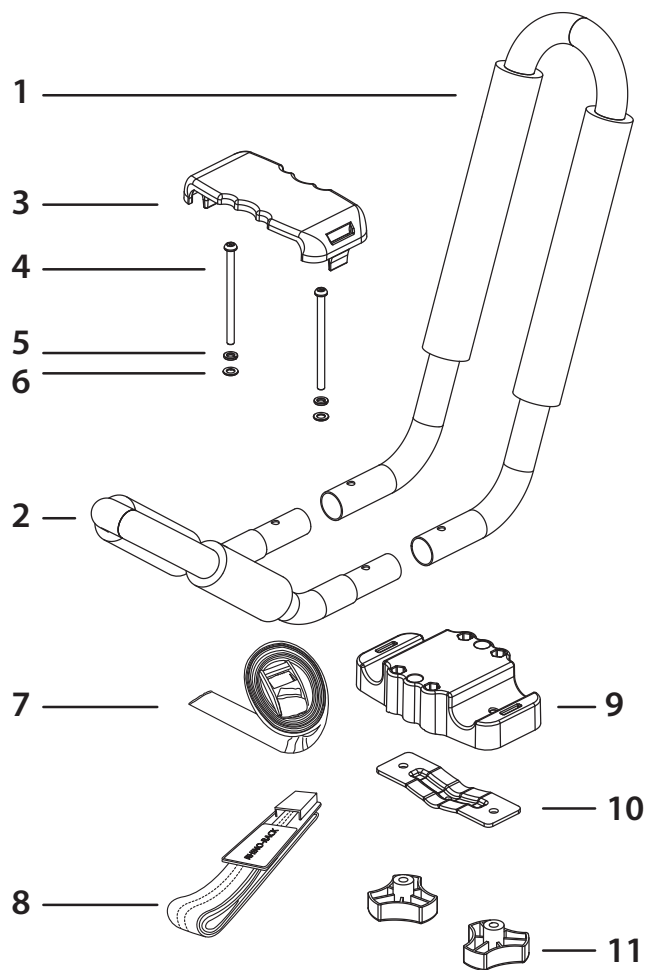
These instructions remain the property of Rhino-Rack Australia Pty Ltd and may not be used or changed for any other purpose than intended.



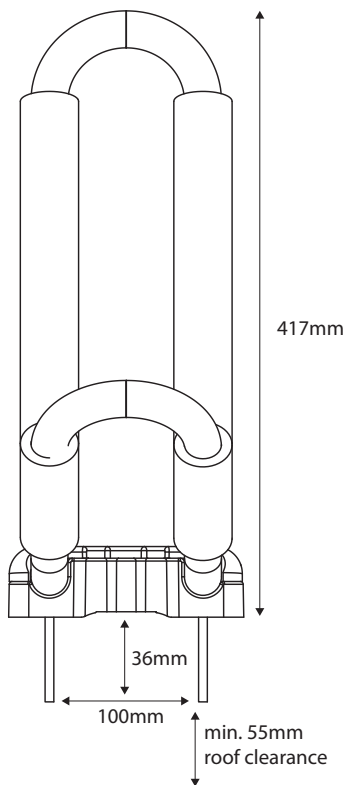
# Rhino-Rack Folding Kayak Carrier S510

## Parts List

Item	Component Name	Qty
1	Upright Mount Tall	2
2	Upright Mount Short	2
3	Top Cover	2
4	M6 Security Bolt	4
5	M6 Spring Washer	4
6	M6 Flat Washer	4
7	5.5m Tie Down Strap	2
8	3m Covered Buckle Strap	2
9	Base Support	2
10	Universal Clamp	2
11	Dial	4
12	Fitting Instruction	1



Refer to page 5 for  
C-channel fitment guide



### Care Instruction:

Wash and clean vehicle roof racks prior to fitment

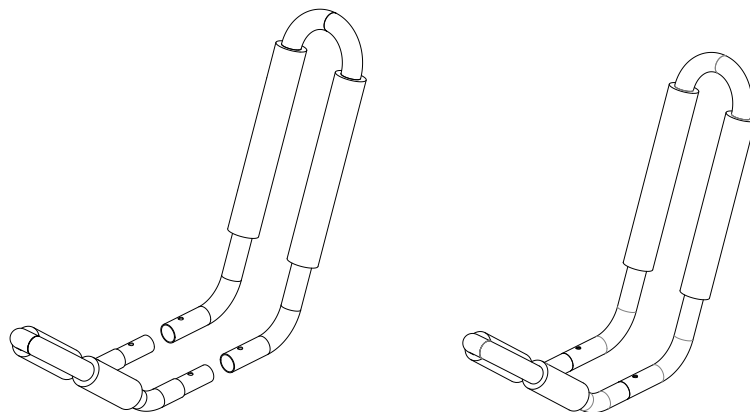


C-channel fitment kit sold separately  
 KC - FK8 for Rhino Aero and HD bar  
 KC - FK9 for Rola Aero and Rola  
 Commercial bar  
 KC - FK10 for European bar

**1**

For Heavy Duty cross bars,  
you will need the optional  
C-channel fitment kit.

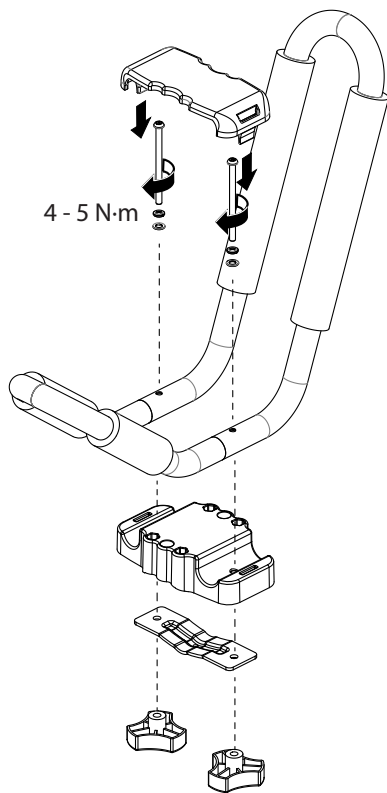
The fitting instruction for  
Heavy Duty bar is at page 6,  
step 5. The kayak loading and  
strapping instructions in the  
following pages still apply



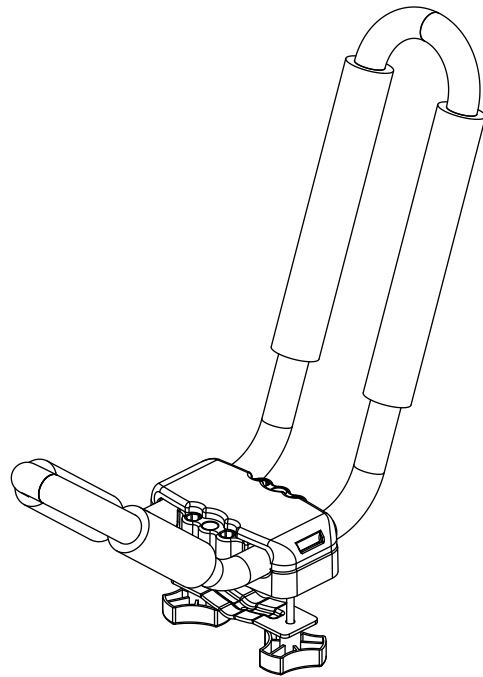


## Rhino-Rack Folding Kayak Carrier S510

2

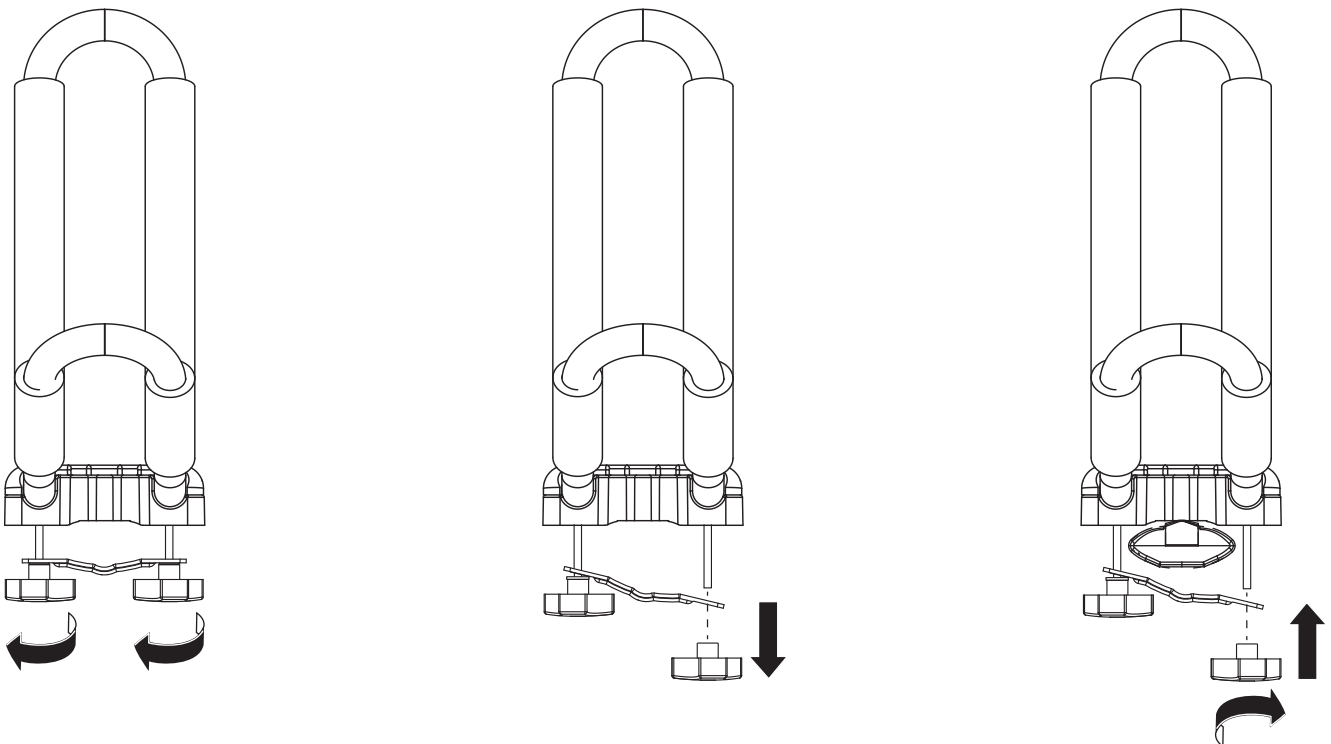


3



Long nose pliers can be used to assist in positioning the rubber tabs in the base support

4

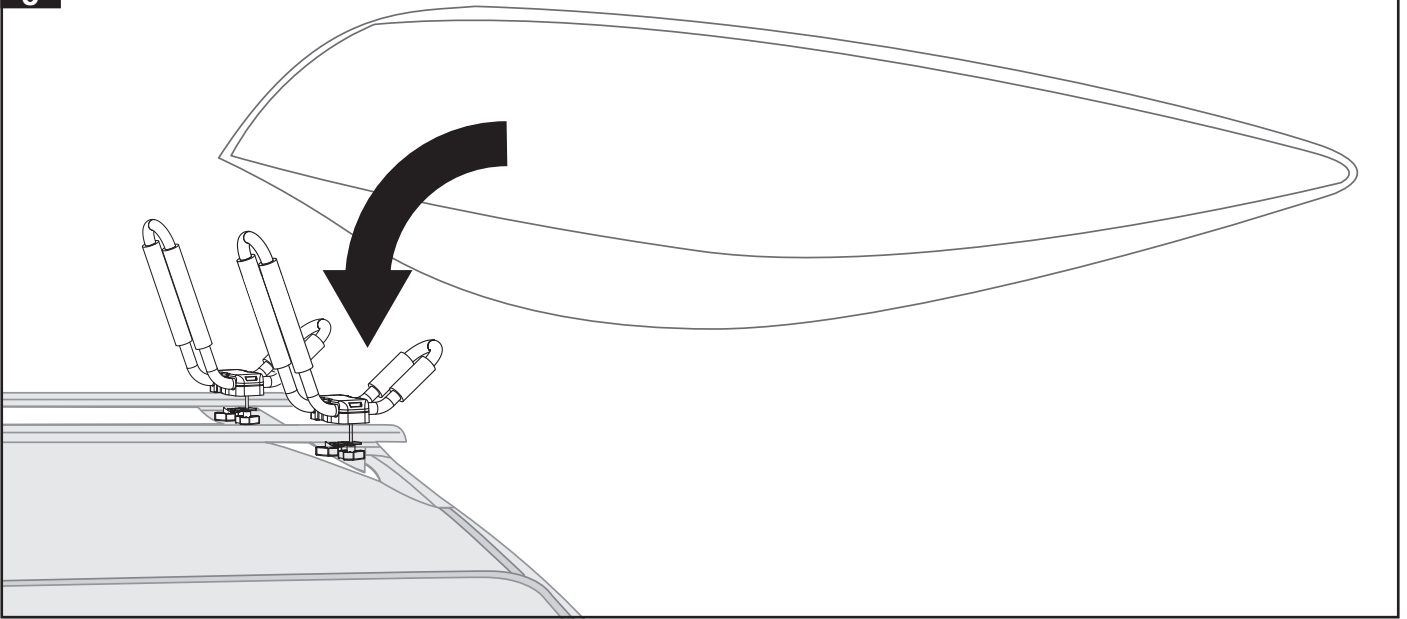


Aero bar shown for fitting instruction purposes

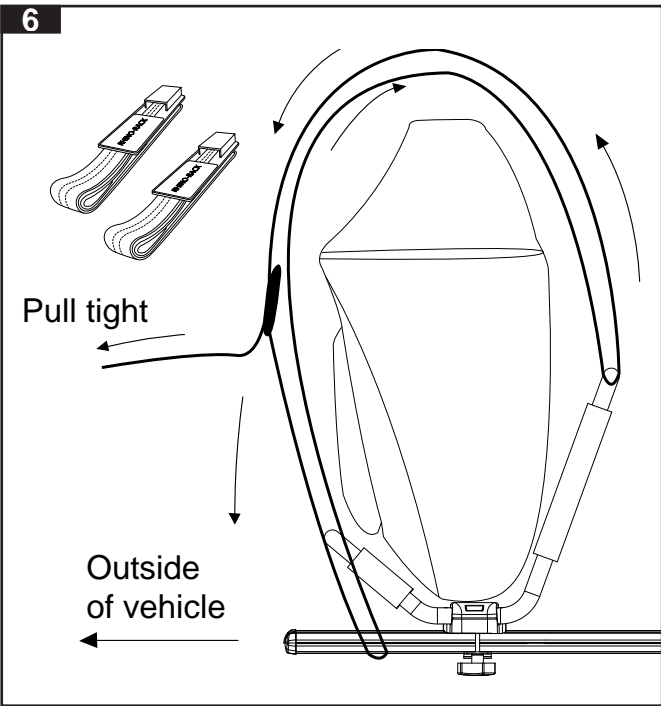


# Rhino-Rack Folding Kayak Carrier S510

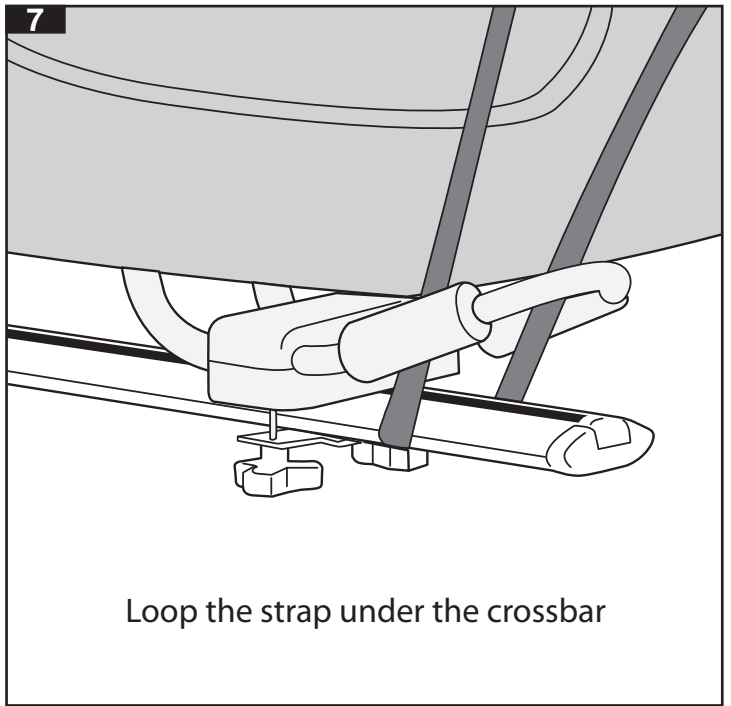
5



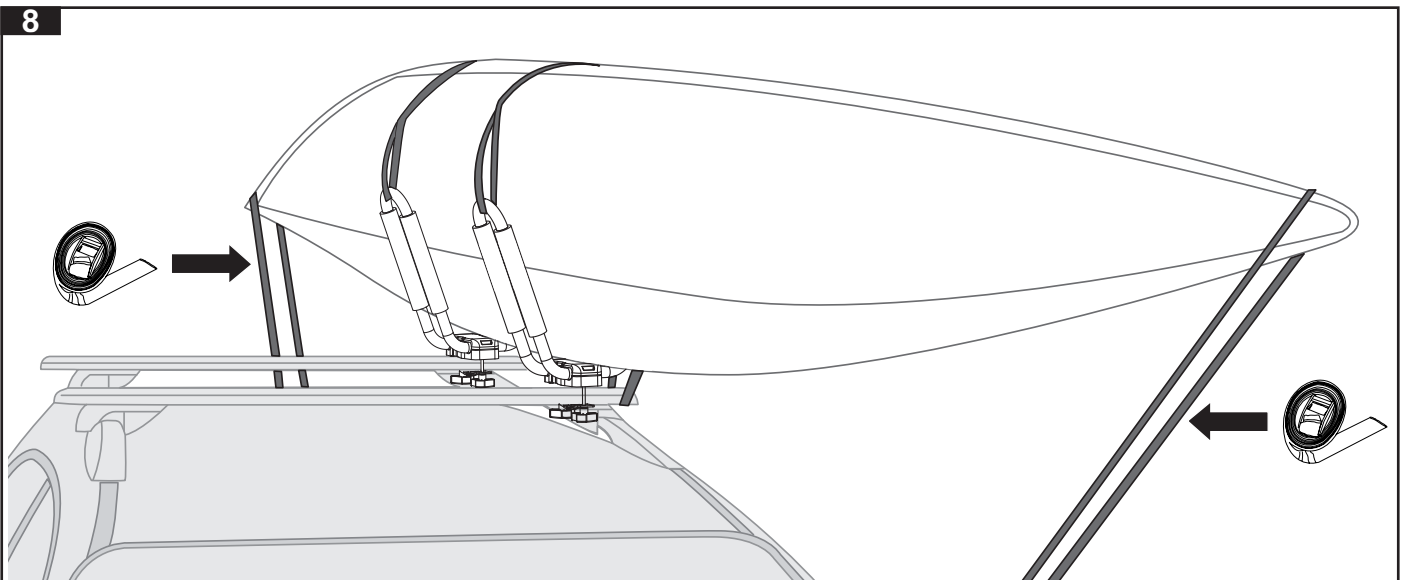
6



7



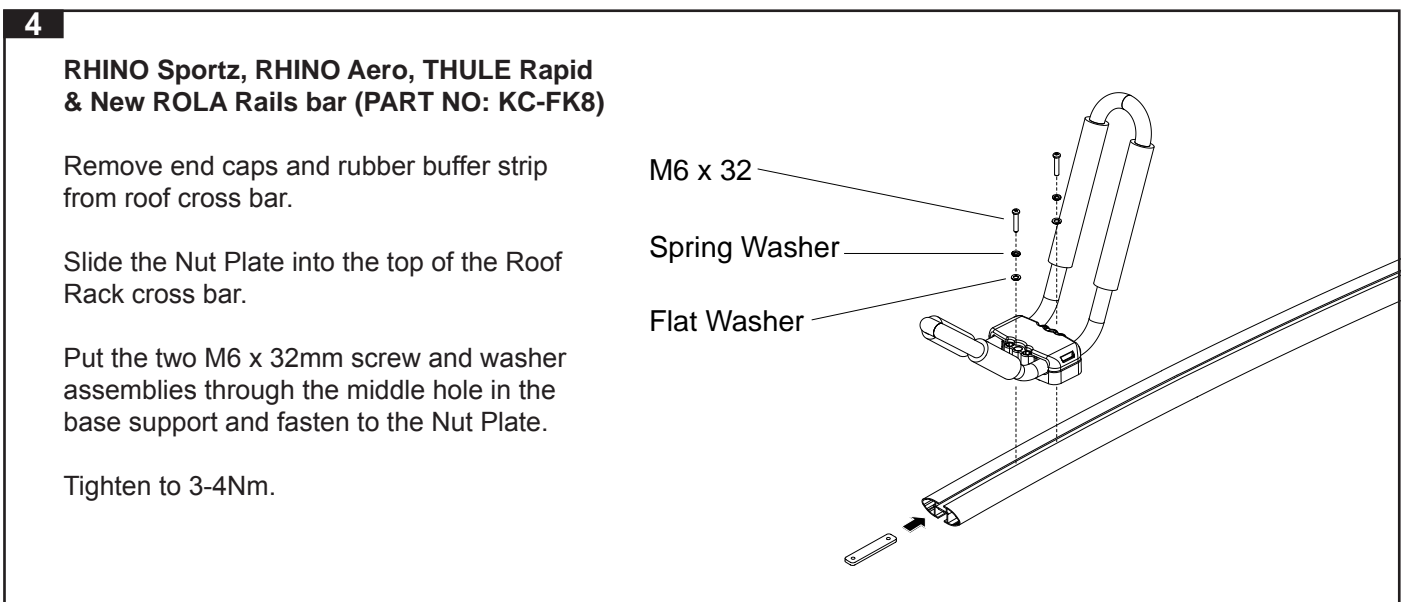
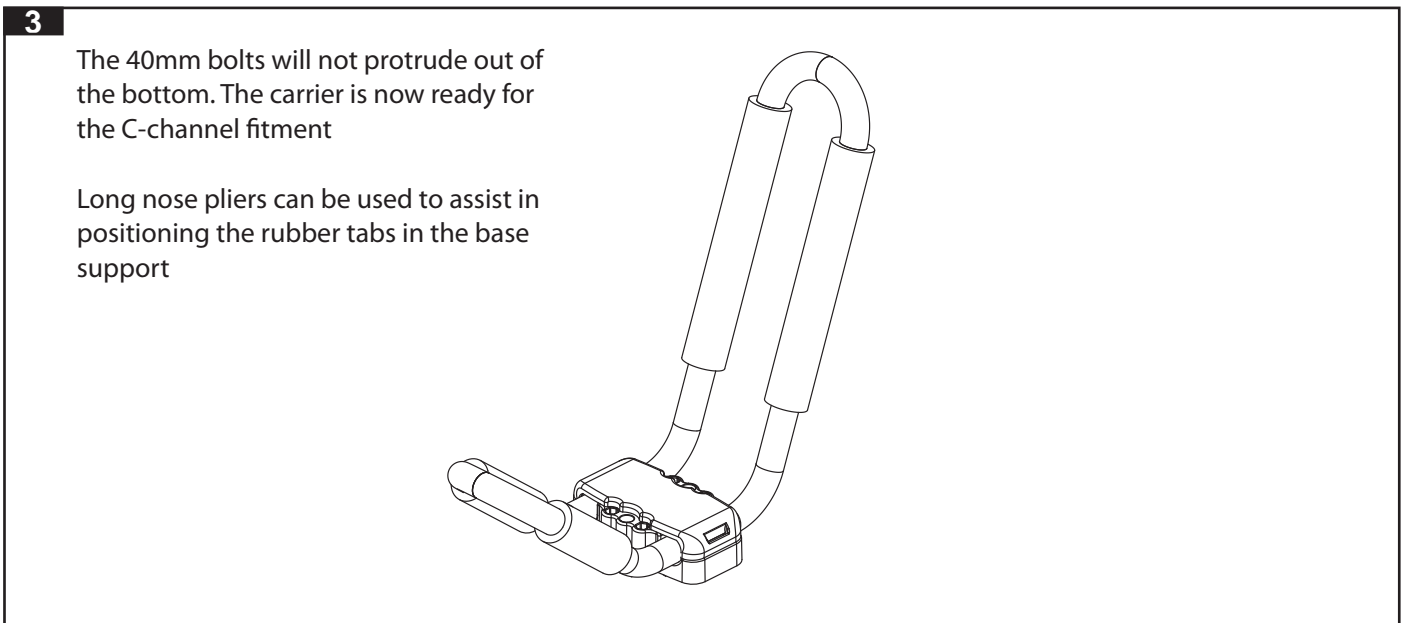
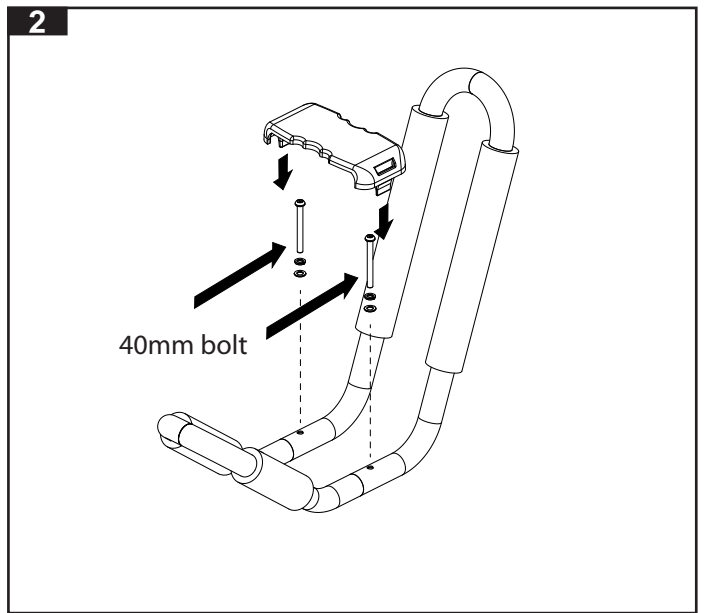
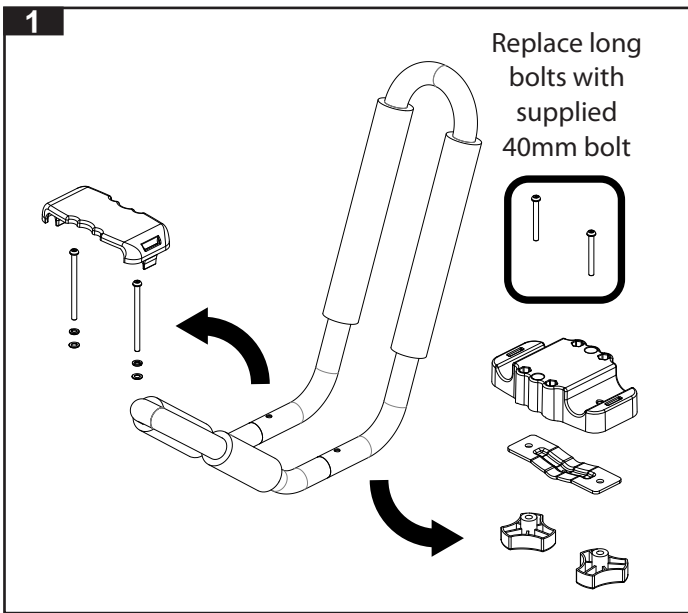
8





# Rhino-Rack Folding Kayak Carrier S510

How to install and use the optional C- channel installation kit (NOTE: Sold Separately)





# Rhino-Rack Folding Kayak Carrier S510

**5**

## RHINO Heavy Duty (PART NO: KC-FK8)

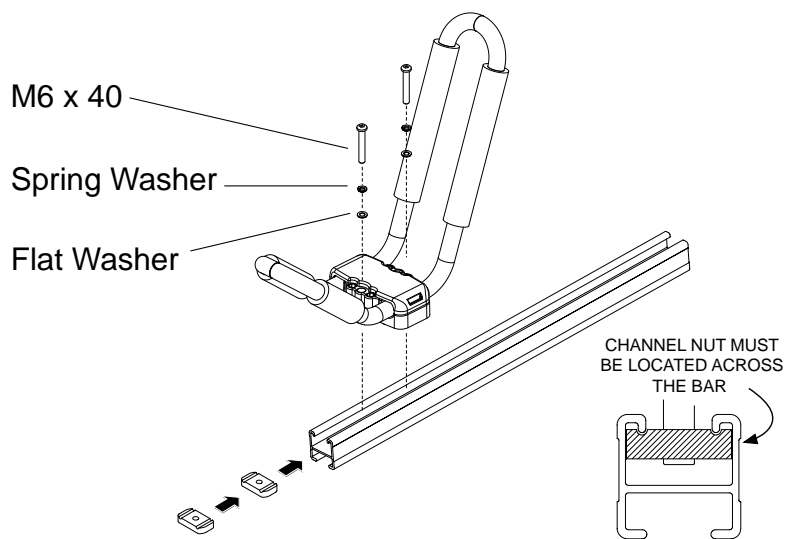
Remove rubber buffer strip from Roof Rack cross bar.

Assemble hardware as shown.

Put the two M6 x 40mm screw and washer assemblies through the middle hole in the base support and fasten to the Channel Nuts.

Lock the Channel Nuts into the top of the roof cross bar. Check the Channel Nuts are located correctly.

Tighten to 3-4Nm.



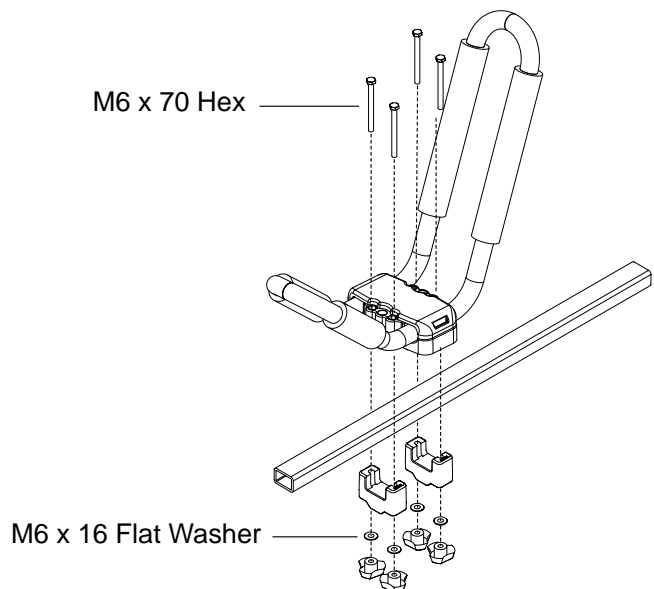
**6**

## EUROPEAN Bars (PART NO: KC-FK10)

With the Kayak Carrier sitting on the Roof Rack bar, place the four M6 x 70mm Hex bolts through the four hexagonal holes in the base support.

Hook the two Lower U Adaptors under the cross bar. Place the M6 x 16 Washers on the Bolts and fasten using the four Plastic Knob Nuts.

Tighten to 3-4Nm.



**7**

## Rola Rack & old ROLA Commercial Bar (PART NO: KC-FK9)

Remove end caps and rubber buffer strip from Roof Rack cross bar.

Locate 'T' Bolt into cross bar channel, turn 'T' Bolt. Place Locking tab over 'T' Bolt.

Put the two M6 Tube Nut and washer assemblies through the middle hole in the base support and fasten to the M6 x 35mm T-Bolt.

Tighten to 3-4Nm.

