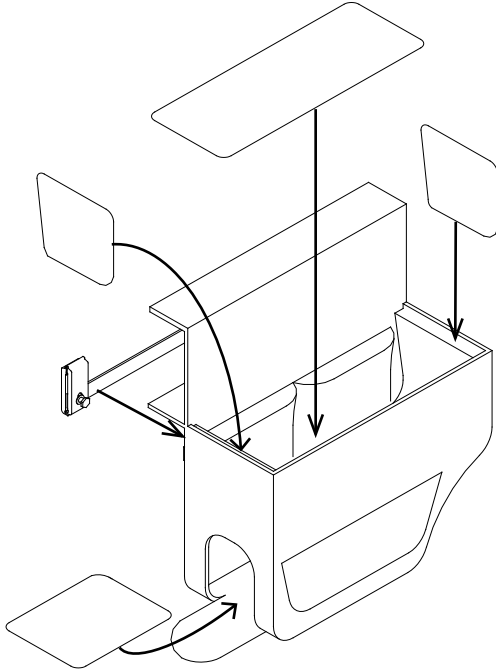
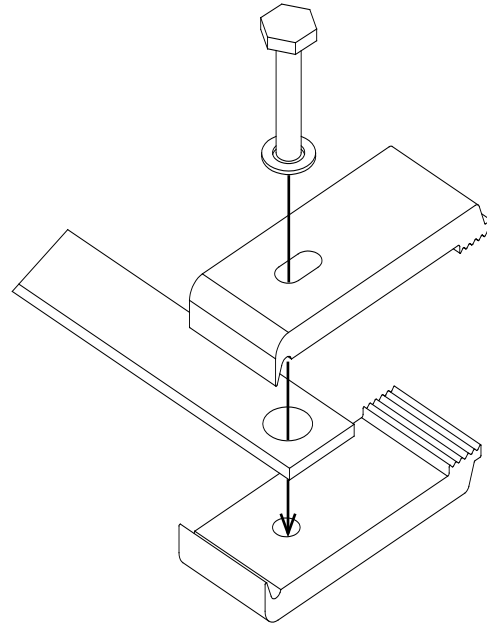


TRUCK LUGGAGE SADDLE BAG ASSEMBLY INSTRUCTIONS

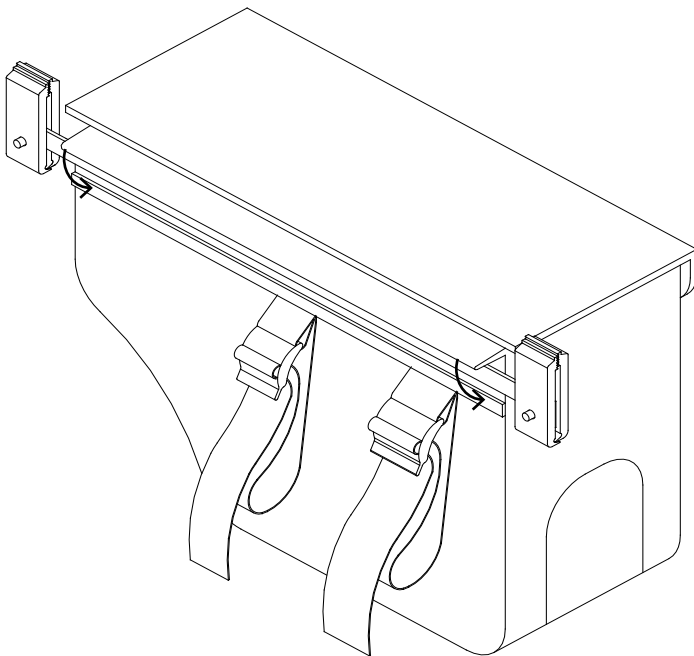
- 1) -Slide in the shortest inserts into side sleeves.
-Slide the medium sized insert into the
-Place the longest insert on top of the support straps in the top compartment. bottom compartment.



- 2) Install the clamps on the support bar.



- 3) With the bolt head facing the logo, place the support bar underneath the rear flap. Close the flap and secure.



- 4) Install on to truck.



by TruXedo, Inc.

P.O. Box 1078, 2209 Kellen Gross Dr., Yankton, SD 57078

Phone: 877- 878-9336 • Fax: (605) 664-9304 www.truxedo.com

TRUXEDO

P/N 1117898Rev. A