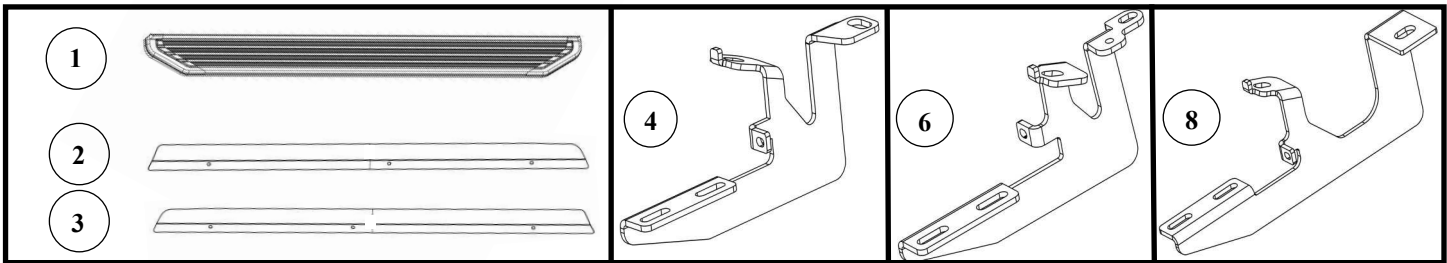




INSTALLATION INSTRUCTIONS

STYLIZED RUNNING BOARDS
 APPLICATION: 2014—UP TOYOTA HIGHLANDER
 PART # 28-21180, 28-21185

AUTOMOTIVE PRODUCTS, INC.



ITEM	QUANTITY	DESCRIPTION	TOOLS NEEDED
1	2	RUNNING BOARD	RATCHET
2, 3	2	FILLER PANEL DRIVER, PASSENGER	RATCHET EXTENSION
4	1	FRONT BRACKET DRVR.	TORQUE WRENCH
5	1	FRONT BRACKET PASS.	4MM ALLEN WRENCH
6	1	CENTER BRACKET DRVR.	10MM SOCKET
7	1	CENTER BRACKET PASS.	10MM WRENCH
8	1	REAR BRACKET DRVR.	13MM SOCKET
9	1	REAR BRACKET PASS.	13MM WRENCH
10	2	INSERT PLATE	16MM SOCKET
11	2	M10 CARRIGE BOLT	MOTOR DRILL
12	6	M10 BOLT PLATE	
13	8	M10 FLAT WASHER	
14	8	M10 LOCK WASHER	
15	8	M10 HEX NUT	
16	12	M8 SQUARE HEAD BOLT	
17	12	M8 FLAT WASHER	
18	12	M8 NYLOCK NUT	
19	2	M6 SELF DRILL SCREW	
20	6	M6 BUTTOM HEAD BOLT	
21	6	M6 HEX NUT	
22	6	M6 LOCK WASHERS	
23	14	M6 FLAT WASHERS	
24	2	M10 POLY RETAINER	
25	2	M10 FISH WIRE	

ANTI-SEIZE LUBRICANT MUST BE USED ON ALL STAINLESS STEEL FASTENERS TO PREVENT THREAD DAMAGE AND GALLING .

1. Remove contents from box, verify if all parts listed are present and free from damage. Carefully read and understand all instructions before attempting installation.
2. Starting from the passenger side, look for three mounting holes on the rocker panel (Figure 1). From the front, remove plugs for the 2nd, the 5th and 8th mount holes.



Westin Automotive Products, Inc.
 320 Covina Blvd
 San Dimas, Ca. 91773

Thank You for choosing Westin products
 For Additional installation assistance please call
 Customer service (800) 793-7846
www.westinautomotive.com



Figure 1



Figure 2

3. Insert (1x) M10 bolt plate (Item 12) on each of the rocker panel holes and place it as shows in Figure 2.
4. Remove screws from the plastic cover next to the rocker panel. (Figure 3).
5. Locate near the front two bolts, push the plastic cover back, and remove the closes bolt to the front. Save the bolt, it will be re-used. (Figure 4).
6. Place the passenger front flange bracket as shown on figure 5. And use hardware (Items 13, 14, & 15) (Figure 6).
7. Install rear flange using the previously removed bolt. (Figures 4 & 5).

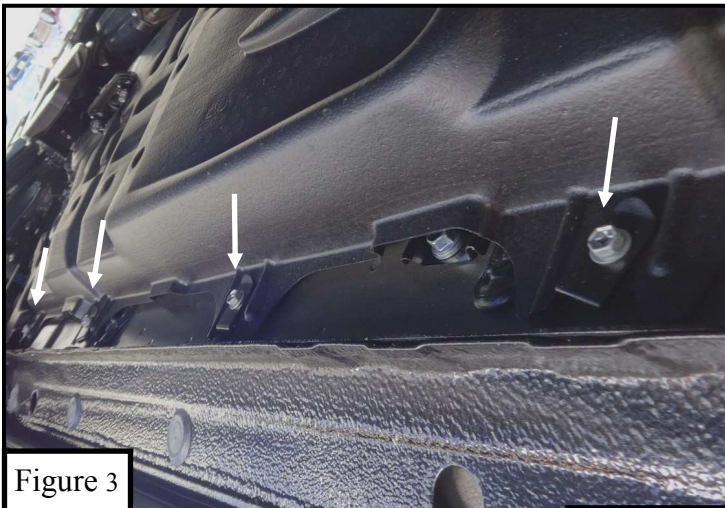


Figure 3



Figure 4



Figure 5

Front bracket Installation

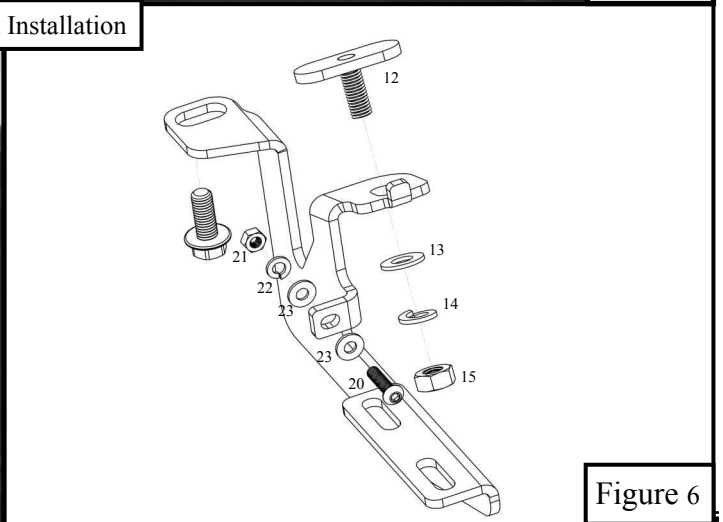
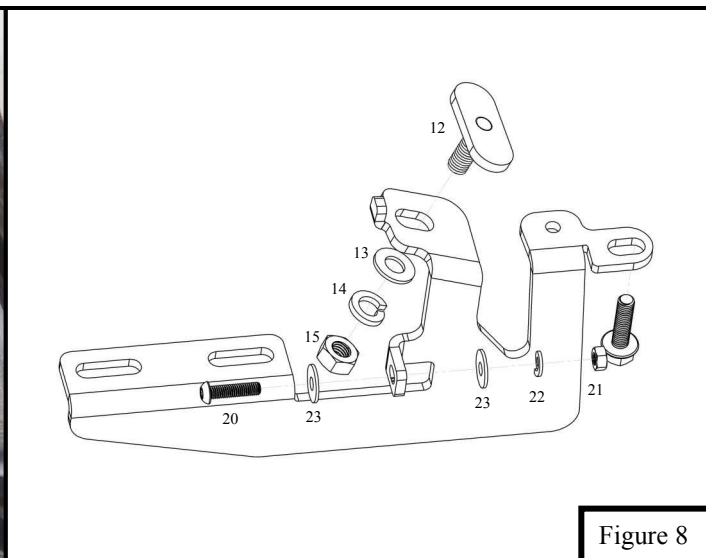
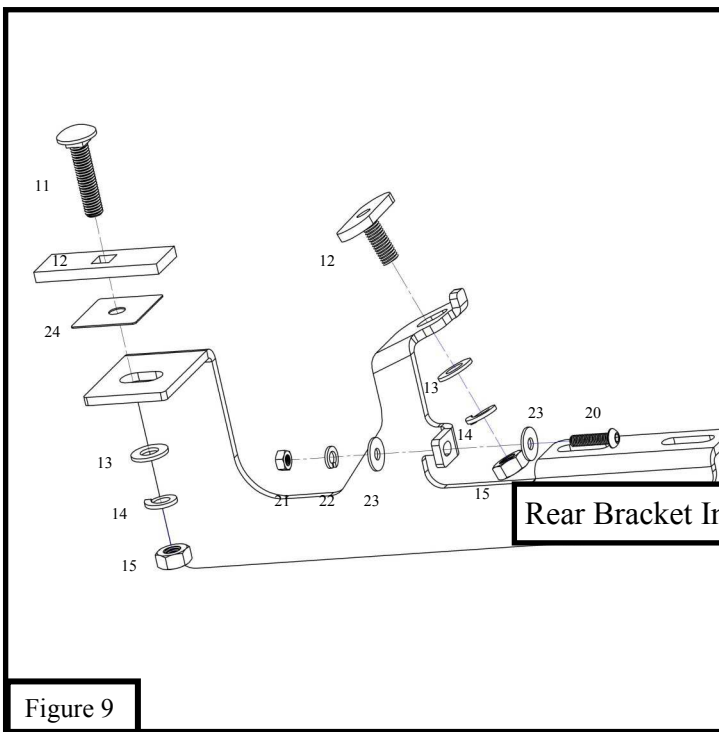


Figure 6

8. Locate passenger center bracket mount location. Push the plastic cover back and remove the bolt (Figure 7) and save it for re-use.
9. Install passenger center bracket (Item 7) as shown on Figures 7 & 8. Using previously removed bolt, and items 13, 14, and 15 in the front bracket flange.

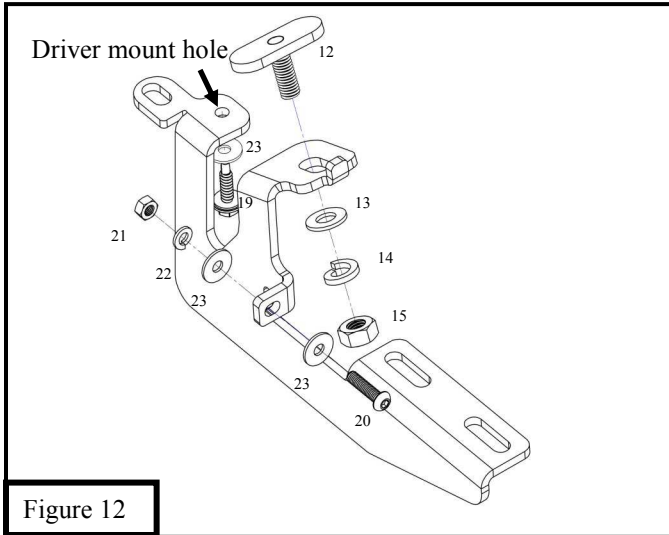


10. Locate rear mount location. Look for the obround hole. Thread the fish wire (Item 25) in the M10 carriage bolt (Item 11) and insert the other end of the fish wire into the insert plate (Item 10) then the poly retainer (Item 24). Insert the bolt into the hole first, the bolt plate 2nd then 3rd the poly retainer (Figures 9 and 10). Once the items are into the hole, pull fish wire down to place the three items in position for bracket installation. Remove the fish wire.
11. Install rear bracket (Item 9) as shown in figures 9 & 11.
12. Switch to the driver side and repeat steps 2 to 4.
13. Repeat steps 5 to 7 to install front bracket (item 4) and steps 10 to 12 to install rear bracket (Item 8).

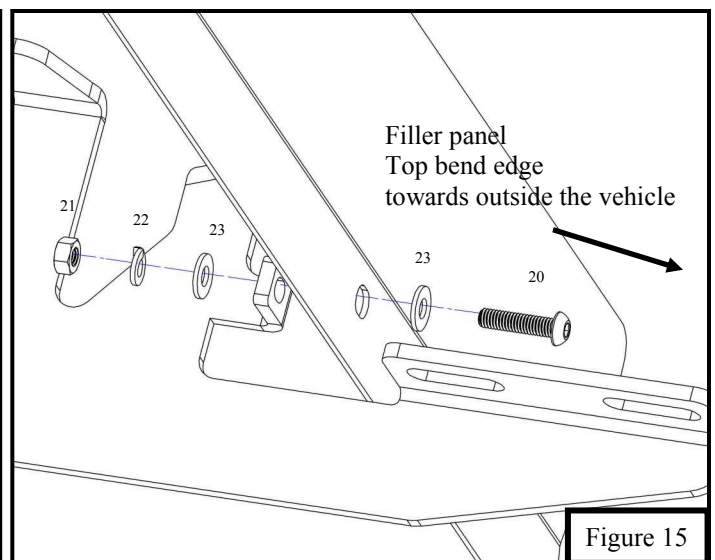


14. Driver side center bracket installation.

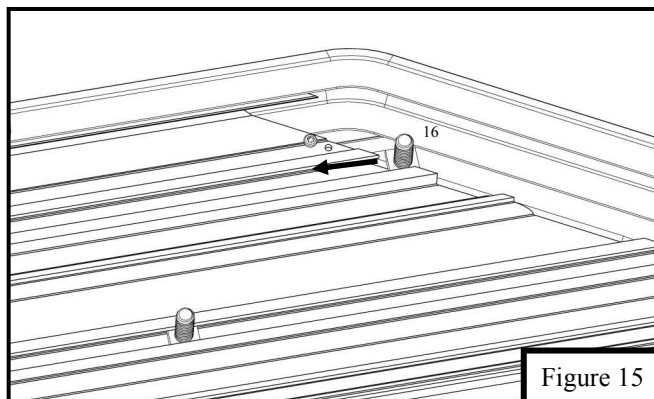
15. Place the front flange on with the flange tip into the rocker panel hole and use hardware items 13, 14, and 15 to hold the front flange.
16. Square the bracket with the rocker panel.
17. Push the plastic cover back and use a drill motor with a 10mm socket to install (1x) M6 self drill screw item 19 an (1x) M6 flat washer item 23 into the small hole in the rear flange, and to the car floor pane.
18. Tighten all the hardware to 38 ft. pounds. And proceed to the next step.



19. Identify the driver and passenger filler panels (Items 2 and 3) Look for a “D” for driver and a “P” for passenger.
20. Open the front a rear automobile doors, and place the filler panel as show in figures 14 and 15. With the top bend edge towards outside of the vehicle.
21. Attach the filler panel onto the three brackets using the hardware as show in figure 15. Adjust as needed and tighten the hardware to 8 ft. pounds.



22. Install the running boards (Item 1) by sliding in the channels, under the board, two M8 square bolts (Item 16) per bracket to total 6 per board (Figure 15).
23. Place the running board in top of the brackets, with the bolts going into the bracket flange holes.
24. Align the boards and finish installation by using an M8 flat washer (Item 17) and a M8 nylock nut (Item 18) tighten the M8 hardware to 19 ft. pounds.



Installation complete



Westin Automotive Products, Inc.
320 Covina Blvd
San Dimas, Ca. 91773

Thank You for choosing Westin products
For Additional installation assistance please call
Customer service (800) 793-7846
www.westinautomotive.com